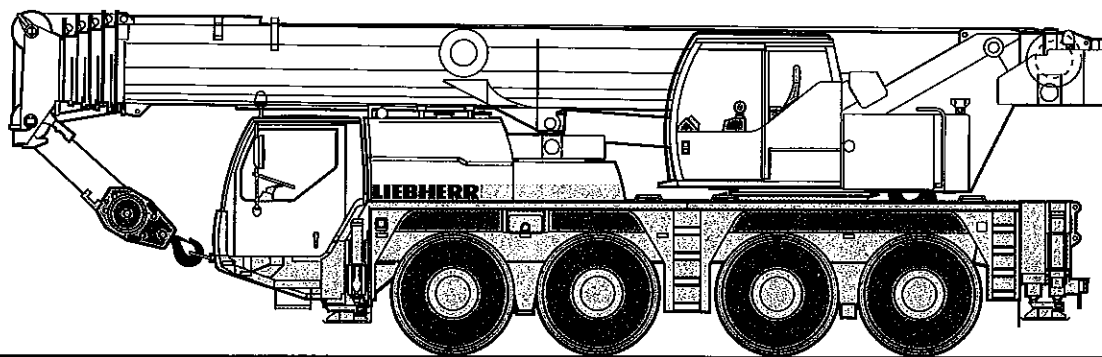


# Mobile Crane Grue automotrice

# LTM 1070-4.1

Technical Data  
Caractéristiques techniques



# LIEBHERR

# Lifting capacities on telescopic boom Forces de levage à la flèche télescopique

		36 - 164 ft		360°		32000 lbs		85%		Preliminary Préliminaire					
		36 ft	48 ft	60 ft	72 ft	83 ft	95 ft	107 ft	118 ft	130 ft	142 ft	154 ft	164 ft		
8	160													8	
9	155	124	124	124										9	
10	147	123	122	123										10	
11	137	116	116	116	97.5	80								11	
12	127	110	109	110	96.5	79.5								12	
13	119	104	103	104	95	78.5	63.5							13	
14	112	98.5	98	98.5	92.5	77.5	63	50.2						14	
15	105	93.5	93	93.5	90.5	76.5	62	50.1						15	
16	98	88.5	89	88.5	87.5	75	61.5	49.6	41					16	
17	92	84.5	85.5	84.5	84	74	61	49.2	40.8					17	
18	87	80.5	81.5	81	80.5	72.5	60	48.7	40.6					18	
20	77	73	74	74	74	69.5	58.6	47.8	40.2					20	
22	69.5	67	68	68	68	65.5	57.2	46.7	39.6	31.8	24.8			22	
24	62.5	61	62	62.5	62.5	60.5	54.5	45.2	39	31.6	24.7			24	
26	56.7	55.7	56.7	57	57.2	54.2	50.5	43.3	38.5	31.2	24.4	19.3		26	
28			52.5	52.5	52.1	49.3	46.1	41.5	37.3	30.8	24.1	19.2	16.1	28	
30			48.6	48.3	47.3	44.8	42.1	39.6	36	30.4	23.8	19	16.1	30	
32			44.7	45	43.4	41.2	38.8	37.4	34.7	29.7	23.4	18.8	16	32	
34			41.4	41.9	40.2	38.2	36.3	35.1	33	28.8	23	18.5	15.8	34	
36			38.5	39	37.4	35.8	34.1	32.9	31.2	27.9	22.6	18.3	15.7	36	
38			35.5	36.1	34.6	33.4	31.9	30.6	29.3	27	22.1	18	15.5	38	
40				33.3	32.2	31.1	29.9	28.5	27.5	25.9	21.6	17.8	15.4	40	
45				27.8	27.7	26.6	25.9	24.6	23.5	22.1	20.4	16.9	14.8	45	
50					23.8	23.1	22.5	21.4	20.5	19.7	18.5	16.1	14.2	50	
55					20.5	20.2	19.6	18.9	18.2	17.6	16.4	15.3	13.6	55	
60						17.8	17	16.9	16.4	15.5	14.6	14.3	12.9	60	
65						15.7	15	15.2	14.5	13.7	13.5	12.6	12.1	65	
70						14	13.5	13.6	13.1	12.4	12.1	11.2	10.9	70	
75							12.2	12.1	11.7	11.2	10.7	9.9	9.7	75	
80							11.1	10.7	10.5	10	9.5	8.8	8.6	80	
85							10.1	9.6	9.4	8.9	8.4	7.8	7.6	85	
90								8.8	8.5	8	7.6	6.9	6.8	90	
95								8.1	7.7	7.3	6.8	6.1	6	95	
100									7	6.5	6.1	5.4	5.3	100	
105										5.9	5.4	4.8	4.7	105	
110										5.4	4.9	4.3	4.2	110	
115										4.9	4.4	3.8	3.7	115	
120											4	3.3	3.3	120	
125												3.5	2.9	125	
130													2.5	130	
135													2.1	135	

\* over rear / en arrière

TAB 153232 / 153233

## Remarks referring to load charts

1. The tabulated lifting capacities do not exceed 85% of the tipping load.
2. The crane's structural steelwork is in accordance with DIN 15018, part 3. Design and construction of the crane comply with DIN 15018, part 2, and with F.E.M. regulations.
3. The 85% overturning limit values take into account wind force 5 = wind speed 20 mph.
4. Lifting capacities are given in kips.
5. The weight of the hook blocks and hooks must be deducted from the lifting capacities.
6. Working radii are measured from the slewing centreline.
7. The lifting capacities given for the telescopic boom only apply if the folding jib is taken off.
8. Subject to modification of lifting capacities.
9. Lifting capacities above 130 kips only with additional pulley block.

# Lifting capacities on telescopic boom Forces de levage à la flèche télescopique

	36 - 164 ft		360°		23600 lbs		85%		Preliminary Préliminaire				
	36 ft	48 ft	60 ft	72 ft	83 ft	95 ft	107 ft	118 ft	130 ft	142 ft	154 ft	164 ft	
9	112	112	112										9
10	111	111	111										10
11	105	105	105	88.5	73								11
12	99	98.5	99	87.5	72.5								12
13	93.5	93.5	93.5	86	71.5	57.9							13
14	88.5	88.5	88.5	84.5	70.5	57.3	45.7						14
15	83.5	83.5	84	82.5	69.5	56.6	45.6						15
16	79.5	80	80	79.5	68.5	55.9	45.1	37.2					16
17	75.5	76.5	76.5	76	67	55.3	44.7	37.1					17
18	72	73	73	73	66	54.6	44.3	36.9					18
20	65	66	66.5	66	62.5	53	43.4	36.5					20
22	58.9	59.9	60	59.5	55.8	50	42.5	36	28.9	22.6			22
24	53.3	54.4	54.3	53.4	49.8	46.2	41	35.5	28.7	22.4			24
26	48.2	49.7	49	47.8	44.7	41.8	39.1	35	28.4	22.2	17.6		26
28		45.3	45.1	43.4	40.7	38.3	36.3	33.4	28	21.9	17.4	14.6	28
30		41	41.4	39.4	37.1	35.2	33.6	31.6	27.6	21.6	17.2	14.6	30
32		36.7	37.5	36.2	34.5	32.8	31.1	29.6	27	21.3	17.1	14.5	32
34		33.2	34.2	33.4	32.2	30.7	29	27.7	25.7	20.9	16.8	14.4	34
36		30.4	31.3	31	30	28.7	27.1	25.8	24	20.5	16.6	14.3	36
38		27.5	28.4	28.6	27.7	26.8	25.3	24	22.3	20.1	16.4	14.1	38
40			25.9	26.4	25.8	25	23.6	22.4	20.9	19.5	16.1	14	40
45			21.4	21.8	22	21.3	20.6	19.5	18.6	17.2	15.4	13.5	45
50				18.5	18.8	18.3	17.9	17.1	16.2	15.5	14.3	12.9	50
55				16	16	15.7	15.7	15	14.3	13.8	12.8	12.1	55
60					13.9	13.7	13.8	13.2	12.9	12.1	11.1	10.8	60
65					12.1	12.2	12	11.7	11.3	10.6	9.7	9.5	65
70					10.7	10.9	10.6	10.4	9.9	9.4	8.5	8.3	70
75						9.7	9.5	9.2	8.7	8.2	7.4	7.3	75
80						8.7	8.4	8.1	7.7	7.2	6.5	6.3	80
85						7.8	7.5	7.3	6.8	6.4	5.7	5.5	85
90							6.7	6.5	6.1	5.6	5	4.8	90
95							6	5.8	5.4	5	4.3	4.2	95
100								5.2	4.8	4.4	3.7	3.6	100
105									4.2	3.8	3.2	3.1	105
110									3.7	3.3	2.7	2.6	110
115									3.2	2.8	2.3	2.2	115
120										2.4			120

TAB 153051

## Remarques relatives aux tableaux des charges

1. Les forces de levage indiquées ne dépassent pas 85% de la charge de basculement.
2. La norme DIN 15018, 3ème partie est appliquée pour les charpentes. La construction de la grue est réalisée conformément à la norme DIN 15018, 2ème partie, et aux règles de la F. E. M.
3. A 85% de la charge de basculement, il a été tenu compte d'un vent de force 5 = vitesse de vent 20 mph.
4. Les forces de levage sont données en kips.
5. Les poids des moules et crochets doit être soustrait des charges indiquées.
6. Les portées sont calculées à partir de l'axe de rotation.
7. Les forces indiquées pour la flèche télescopique s'entendent fléchette dépliée.
8. Charges données sous réserve de modification.
9. Les charges supérieures à 130 kips ne peuvent être levées qu'avec poulie supplémentaire.

# Lifting capacities on telescopic boom Forces de levage à la flèche télescopique

		36 ft		48 ft		60 ft			
		32000 lbs	23600 lbs	32000 lbs	23600 lbs	32000 lbs	23600 lbs		
9	ft	30.5	29.8	32	31.2	32.6	31.8	9	ft
10		30.2	29.5	31.6	30.9	32.3	31.5	10	
11		28.1	27.4	29.5	28.8	30.2	29.5	11	
12		26.1	25.5	27.6	26.9	28.2	27.6	12	
13		24.3	23.7	25.8	25.2	26.5	25.8	13	
14		22.8	22.2	24.2	23.6	24.9	24.3	14	
15		21.3	20.7	22.8	22.2	23.5	22.9	15	
16		20	19.4	21.5	20.9	22.1	21.6	16	
17		18.8	18.3	20.3	19.7	21	20.4	17	
18		17.7	17.2	19.2	18.7	19.9	19.4	18	
20		15.6	15.1	17.1	16.7	17.8	17.3	20	
22		13.9	13.5	15.4	15	16.1	15.7	22	
24		12.4	12	13.9	13.5	14.6	14.2	24	
26		11.1	10.7	12.5	12.1	13.2	12.9	26	
28				11.4	11	12.1	11.7	28	
30				10.3	9.9	11	10.7	30	
32				9.3	9	10.1	9.7	32	
34				8.5	8.2	9.3	8.9	34	
36				7.8	7.5	8.5	8.2	36	
38				7.1	6.8	7.8	7.5	38	
40						7.1	6.8	40	
45						5.7	5.5	45	

0° = over rear / en arrière

Tyre size / dimensions de pneumatiques: 16.00 R 25, 20.5 R 25

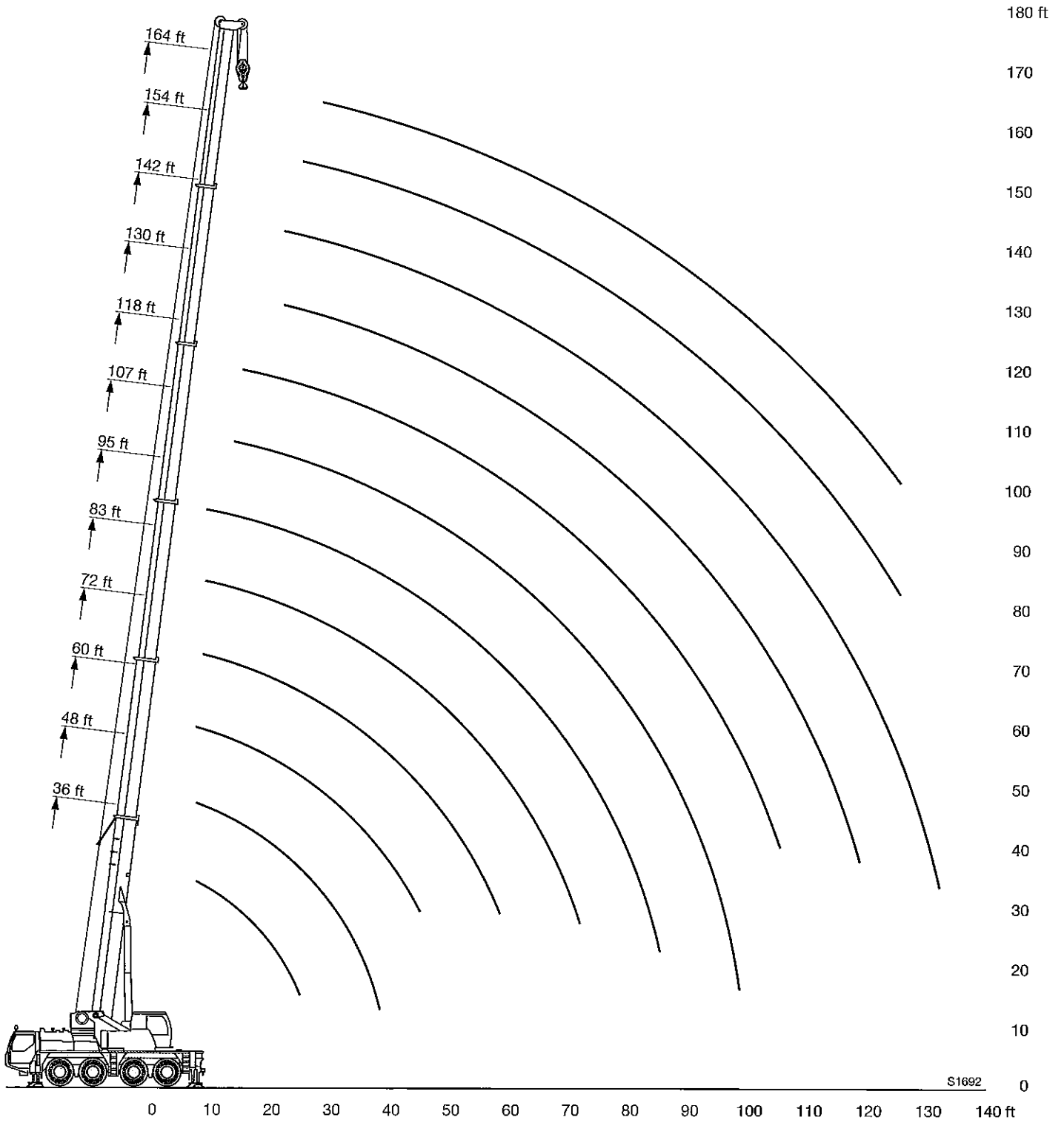
TAB 153200 / 153203

		36 ft		48 ft		60 ft			
13	ft	18.5		18.1				13	ft
14		17.1		17.5				14	
15		15.7		16.8		15.9		15	
16		14.5		15.8		15.4		16	
17		13.4		14.8		14.8		17	
18		12.3		13.8		14.1		18	
20		10.4		11.8		12.7		20	
22		9		10.3		11.1		22	
24		7.7		9.1		9.7		24	
26		6.7		8		8.6		26	
28				7.1		7.7		28	
30				6.2		6.9		30	
32				5.4		6.2		32	
34						5.5		34	
36						4.8		36	
38						4.2		38	

Tyre size / dimensions de pneumatiques: 16.00 R 25, 20.5 R 25

TAB 153219

# Lifting heights Hauteurs de levage



# Lifting capacities on the folding jib Forces de levage à la fléchette pliante

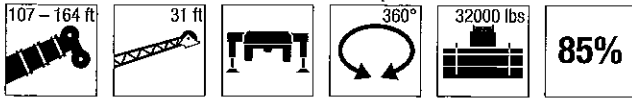


Preliminary  
Préliminaire

ft	36 ft				48 ft				60 ft				72 ft				83 ft				95 ft				ft	
	31 ft				31 ft				31 ft				31 ft				31 ft				31 ft					
	0°	20°	40°	60°	0°	20°	40°	60°	0°	20°	40°	60°	0°	20°	40°	60°	0°	20°	40°	60°	0°	20°	40°	60°		
9	25.1				25.1				25.1				25.1				25.1									9
10	25.1				25.1				25.1				25.1				25.1									10
11	25.1				25.1				25.1				25.1				25.1				25.1					11
12	25.1				25.1				25.1				25.1				25.1				25.1					12
13	25.1	23.4			25.1				25.1				25.1				25.1				25.1					13
14	25.1	22.8			25.1	23.2			25.1				25.1				25.1				25.1					14
15	25.1	22.2			25.1	23.1			25.1				25.1				25.1				25.1					15
16	25.1	21.7			25.1	22.5			25.1	22.8			25.1				25.1				25.1					16
17	25.1	21.2			25.1	22.1			25.1	22.6			25.1				25.1				25.1					17
18	25.1	20.7			25.1	21.6			25.1	22.1			25.1	21.3			25.1	21.4			25.1					18
20	25.1	19.8			25.1	20.7			25.1	21.3			25.1	21.2			25.1	21.3			25.1					20
22	25.1	19	15		25.1	20	15.3		25.1	20.6			25.1	20.6			25.1	20.7			25.1	19.8				22
24	25.1	18.3	14.8		25.1	19.3	15.1		25.1	19.9			25.1	20			25.1	20.1			25.1	19.5				24
26	25.1	17.6	14.5	11.6	25.1	18.6	14.8		25.1	19.3	14.9		25.1	19.3	14.9		25.1	19.6			25.1	19				26
28	24.2	16.9	14.2	11.4	25.1	18	14.5	11.4	25.1	18.7	14.7		25.1	18.8	14.7		25.1	19.1	14.6		25.1	18.6	14.4			28
30	23.1	16.3	13.9	11.2	25.1	17.5	14.2	11.4	25.1	18.1	14.5	11.5	25.1	18.4	14.5		25.1	18.6	14.5		25.1	18.2	14.3			30
32	21.7	15.8	13.7	11.1	24.8	16.9	14	11.2	25.1	17.7	14.2	11.4	25.1	17.9	14.3	11.4	25.1	18.2	14.3	11.4	25.1	17.8	14.2			32
34	20.5	15.4	13.4	10.9	24.1	16.4	13.7	11.1	24.9	17.2	14	11.2	25	17.4	14.1	11.3	25.1	17.8	14.1	11.4	24.9	17.4	13.9			34
36	19.3	15	13	10.8	22.9	16	13.4	11	24.4	16.8	13.8	11.1	24.9	17.1	13.9	11.2	25.1	17.4	13.9	11.3	24.6	17.1	13.7			36
38	18.2	14.6	12.7	10.7	21.8	15.6	13.1	10.9	24	16.3	13.5	11	24.7	16.7	13.7	11.1	25.1	17	13.7	11.2	24.3	16.7	13.4	11.1		38
40	17.1	14.2	12.3	10.7	20.7	15.2	12.8	10.8	23.4	15.9	13.3	10.9	24.3	16.3	13.6	11	24.8	16.6	13.5	11.1	23.9	16.4	13.2	11.1		40
45	14.7	13.3	11.8	10.7	18.2	14.4	12.3	10.6	21.1	15.1	12.7	10.7	22.5	15.5	13	10.8	22.5	15.9	13	10.9	22.4	15.8	12.8	10.9		45
50	13.1	12.5	11.5	10.7	16.2	13.6	11.9	10.6	18.9	14.4	12.3	10.6	20.6	14.8	12.5	10.7	19.6	15.2	12.6	10.7	19.8	15.2	12.5	10.7		50
55	11.6	12			14.4	12.9	11.5	10.6	16.9	13.8	11.9	10.5	18.4	14.2	12.2	10.6	16.9	14.6	12.3	10.6	17.2	14.7	12.3	10.6		55
60					13	12.3	11.4		15.3	13.2	11.6	10.5	16.1	13.7	11.8	10.5	14.7	14.1	12	10.6	15	14.2	12	10.6		60
65					11.7	11.9	11.4		13.8	12.6	11.4	10.5	14.2	13.2	11.6	10.5	12.8	13.6	11.8	10.5	13.2	13.8	11.8	10.5		65
70									12.6	12.2	11.4	10.5	12.4	12.6	11.5	10.5	11.3	12.1	11.6	10.5	11.7	12.5	11.7	10.5		70
75									11.3	11.4	11.1		10.9	11.5	11.1	10.5	10	10.7	10.9	10.3	10.4	11.1	11.2	10.5		75
80													9.6	10.1	10.3		8.7	9.3	9.7	9.7	9.2	9.8	10.3	10.3		80
85													8.6	8.9	9		7.7	8.2	8.4	8.4	8.2	8.7	9	9.1		85
90													7.7	7.9			6.8	7.2	7.4	7.2	7.3	7.7	8	8		90
95																	5.9	6.3	6.4		6.5	6.8	7.1	7		95
100																	5.1	5.4			5.7	6	6.2			100
105																					5	5.3	5.4			105
110																					4.4	4.6	4.6			110
115																					3.8					115

TAB 153498 / 153499 / 153500 / 153501

# Lifting capacities on the folding jib Forces de levage à la fléchette pliante



Preliminary  
Préliminaire

ft	107 ft				118 ft				130 ft				142 ft				154 ft				164 ft				ft			
	31 ft				31 ft				31 ft				31 ft				31 ft				31 ft							
	0°	20°	40°	60°	0°	20°	40°	60°	0°	20°	40°	60°	0°	20°	40°	60°	0°	20°	40°	60°	0°	20°	40°	60°				
14	25.1																								14			
15	25.1																								15			
16	25.1						19.7																		16			
17	25.1						19.6																		17			
18	25.1						19.5				16.7														18			
20	25.1						19.1				16.7														20			
22	25.1						18.8				16.4				11.7										22			
24	25.1						18.5				16.2				11.7			10.3							24			
26	25.1	18.5					18.2				16				11.7			10.3							26			
28	24.8	18.2				18	15.7				15.8				11.6			10.3			8.7				28			
30	24.5	17.8				17.7	15.7				15.6				11.5			10.3			8.7				30			
32	24.1	17.4	14			17.5	15.6				15.5	13.5			11.4			10.3			8.7				32			
34	23.7	17.1	13.8			17.3	15.5				15.3	13.5			11.3			10.2			8.7				34			
36	23.4	16.8	13.6			17.1	15.3				15.2	13.4			11.1			10.1			8.6				36			
38	23	16.5	13.3	11.1		16.9	15.1	12.9			15	13.3	12.4		11	10		9.9	9		8.5	7.7			38			
40	22.5	16.2	13.1	11.1		16.7	15	12.9			14.9	13.3	12.4		10.9	10		9.8	9		8.4	7.7			40			
45	20.8	15.6	12.8	10.9		16.1	14.4	12.5	10.7		14.6	13.2	12.2	10.7	10.5	10	9.7	9.6	8.9	8.6	8.2	7.6			45			
50	18.2	15.1	12.5	10.8	15.3	13.7	12.1	10.7			14.1	12.7	11.8	10.7	10.2	9.8	9.5	9.6	9.4	8.9	8.6	9.1	8	7.6	7.4	50		
55	15.8	14.7	12.2	10.7	14.4	13	11.6	10.6			13.5	12.2	11.4	10.6	9.8	9.5	9.2	9.4	9.2	8.7	8.5	9	7.9	7.5	7.4	7.9	55	
60	13.8	14.1	12	10.6	13.5	12.2	11.1	10.5			12.7	11.6	11	10.5	9.4	9	8.9	9	9	8.5	8.5	8.7	7.7	7.4	7.4	7.8	60	
65	12.7	12.9	11.8	10.5	12.4	11.5	10.7	10.4			11.3	11.2	10.6	10.4	8.9	8.6	8.5	8.6	8.6	8.3	8.3	8.4	7.6	7.3	7.4	7.6	65	
70	11.7	11.4	11.6	10.5	11	10.9	10.3	10.2			10	10.6	10.2	10.2	8.5	8.2	8.1	8.2	8.3	8	7.9	8.1	7.3	7.1	7.2	7.3	70	
75	10.6	10.3	10.7	10.3	9.7	10.2	10	9.9			8.7	9.6	9.8	9.9	8.1	7.8	7.8	7.9	7.9	7.7	7.6	7.7	7.1	6.9	6.9	7	75	
80	9.5	9.6	9.6	9.9	8.6	9.3	9.5	9.6			7.8	8.4	9.1	9.4	7.7	7.5	7.4	7.5	7.5	7.4	7.3	7.4	6.8	6.7	6.7	6.8	80	
85	8.4	9	9.2	9.3	7.6	8.3	8.8	9			7.2	7.4	8	8.3	7.3	7.1	7.1	7.2	6.6	7.1	7.1	7.2	6.3	6.5	6.4	6.5	85	
90	7.6	8	8.3	8.4	6.8	7.4	7.8	8			6.9	6.8	7	7.3	6.6	6.9	6.8	6.9	5.8	6.4	6.8	6.9	5.5	6.1	6.2	6.3	90	
95	6.8	7.2	7.4	7.5	6	6.5	6.9	7.1			6.4	6.4	6.5	6.7	5.8	6.3	6.5	6.7	5	5.6	6.1	6.3	4.8	5.5	5.8	6	95	
100	6	6.4	6.6	6.6	5.3	5.8	6.1	6.2			5.8	6.1	6.2	6.3	5.1	5.7	6.1	6.3	4.4	4.9	5.4	5.6	4.2	4.8	5.2	5.5	100	
105	5.4	5.7	5.9	5.8	4.7	5.1	5.4	5.5			5.1	5.6	5.9	6	4.5	5	5.4	5.5	3.8	4.3	4.7	4.9	3.6	4.1	4.5	4.8	105	
110	4.8	5.1	5.2	5.1	4.1	4.5	4.7	4.8			4.6	5	5.2	5.3	4	4.4	4.7	4.8	3.2	3.7	4.1	4.2	3	3.6	3.9	4.1	110	
115	4.2	4.5	4.6		3.6	4	4.1	4.1			4.1	4.4	4.6	4.7	3.5	3.9	4.1	4.2	2.7	3.2	3.5	3.6	2.5	3	3.4	3.5	115	
120	3.7	3.9			3.1	3.4	3.6				3.6	3.9	4.1	4.1	3	3.4	3.6	3.7	2.3	2.7	3	3	2.1	2.5	2.8	3	120	
125					2.6	2.9	3				3.1	3.4	3.6	3.5	2.6	2.9	3.1	3.1	1.8	2.2	2.5	2.5		2.1	2.4	2.4	125	
130					2.2	2.4	2.4				2.7	2.9	3.1	2.9	2.2	2.5	2.7	2.6						1.7	1.9	2	130	
135					1.8	1.9					2.3	2.5	2.6		1.8	2.1	2.2	2.2			1.6	1.6			1.5	1.5	135	
140											1.9	2.1	2.1			1.7	1.8	1.7									140	
145												1.7																145
150												1.3																150

TAB 153498 / 153499 / 153500 / 153501

# Lifting capacities on the folding jib

## Forces de levage à la fléchette pliante



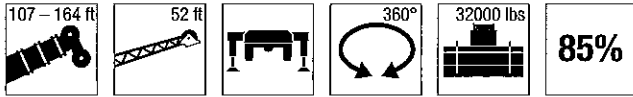
Preliminary  
Préliminaire

ft	36 ft				48 ft				60 ft				72 ft				83 ft				95 ft				ft
	0°	20°	40°	60°	0°	20°	40°	60°	0°	20°	40°	60°	0°	20°	40°	60°	0°	20°	40°	60°	0°	20°	40°	60°	
9	19.1				19.4				18.9																9
10	19.1				19.3				18.9																10
11	18.7				19				18.7				17.4												11
12	18.3				18.7				18.5				17.4												12
13	17.9				18.4				18.3				17.2				16.5								13
14	17.4				18				18				17.1				16.4				15				14
15	17				17.7				17.7				17				16.4				15				15
16	16.5				17.3				17.4				16.8				16.3				14.9				16
17	16				16.9				17.1				16.5				16.1				14.8				17
18	15.6				16.6				16.8				16.3				16				14.7				18
20	14.7				15.8				16.2				15.8				15.6				14.6				20
22	14.1	9.6			15				15.6				15.3				15.2				14.3				22
24	13.5	9.4			14.3				15				14.9				14.8				14				24
26	12.8	9			13.8	9.2			14.3	9.4			14.4				14.4				13.7				26
28	12.2	8.7			13.2	9			13.8	9.1			13.9	8.9			14.1	9			13.4				28
30	11.6	8.4			12.7	8.7			13.2	8.9			13.5	8.9			13.7	8.9			13.1				30
32	11.1	8.1			12.1	8.4			12.8	8.6			13	8.7			13.3	8.7			12.7	8.5			32
34	10.6	7.9			11.6	8.2			12.2	8.4			12.6	8.4			12.9	8.5			12.3	8.4			34
36	10	7.6			11.2	7.9			11.7	8.2			12.1	8.2			12.5	8.3			11.9	8.2			36
38	9.5	7.4	6.1		10.7	7.7	6.2		11.2	8	6.3		11.7	8.1			12.1	8.2			11.6	8.1			38
40	9.1	7.2	6.1		10.3	7.5	6.2		10.8	7.8	6.2		11.3	7.9			11.7	8			11.2	7.9			40
45	8.4	6.7	5.8	5.5	9.2	7.1	5.9		10	7.3	6		10.3	7.4	6		10.8	7.6	6		10.6	7.5	6		45
50	7.7	6.3	5.6	5.3	8.5	6.7	5.7	5.3	9.2	6.9	5.8	5.3	9.6	7.1	5.8		10	7.2	5.9		10	7.2	5.8		50
55	7.1	6	5.4	5.2	7.9	6.3	5.5	5.3	8.5	6.6	5.6	5.3	9	6.7	5.7	5.3	9.4	6.9	5.7	5.3	9.4	6.9	5.7	5.2	55
60	6.6	5.7	5.2	5.1	7.3	6	5.3	5.2	8	6.3	5.4	5.2	8.4	6.4	5.5	5.2	8.8	6.6	5.5	5.2	8.9	6.7	5.5	5.2	60
65	6.1	5.4	5.1	5.1	6.9	5.7	5.2	5.1	7.5	6	5.3	5.1	7.9	6.2	5.4	5.1	8.3	6.4	5.4	5.1	8.5	6.4	5.4	5.1	65
70	5.7	5.2	5.1		6.4	5.5	5.1	5.1	7	5.8	5.2	5.1	7.5	5.9	5.2	5.1	7.9	6.1	5.3	5.1	8	6.2	5.3	5.1	70
75	5.4	5.1			6	5.3	5	5.1	6.6	5.6	5.1	5.1	7.1	5.7	5.1	5.1	7.5	5.9	5.2	5.1	7.7	6	5.2	5.1	75
80					5.7	5.1	5		6.2	5.4	5	5.1	6.7	5.6	5.1	5.1	7.1	5.7	5.1	5.1	7.3	5.8	5.1	5.1	80
85					5.4	5.1	5		5.9	5.2	5	5.1	6.4	5.4	5	5.1	6.8	5.6	5	5.1	7	5.6	5.1	5.1	85
90					5.2				5.6	5.1	5		6	5.3	5	5.1	6.5	5.4	5	5.1	6.7	5.5	5	5.1	90
95									5.4	5	5		5.8	5.1	5	5.1	6.2	5.3	5	5.1	6.4	5.4	5	5.1	95
100													5.5	5	5		5.8	5.2	4.9	5.1	6.1	5.3	4.9	5.1	100
105													5.3	5			5.4	5.1	4.9	5.1	5.6	5.2	4.9	5.1	105
110													5.1	5			4.7	5	4.9	4.9	5.1	5.1	4.9	5.1	110
115																	4.2	4.6	4.6		4.5	4.9	4.9	4.9	115
120																	3.6	4			4	4.5	4.7		120
125																					3.5	3.9	4		125
130																					3.1	3.4	3.4		130
135																					2.7	2.9			135

TAB 153498 / 153499 / 153500 / 153501



# Lifting capacities on the folding jib Forces de levage à la fléchette pliante

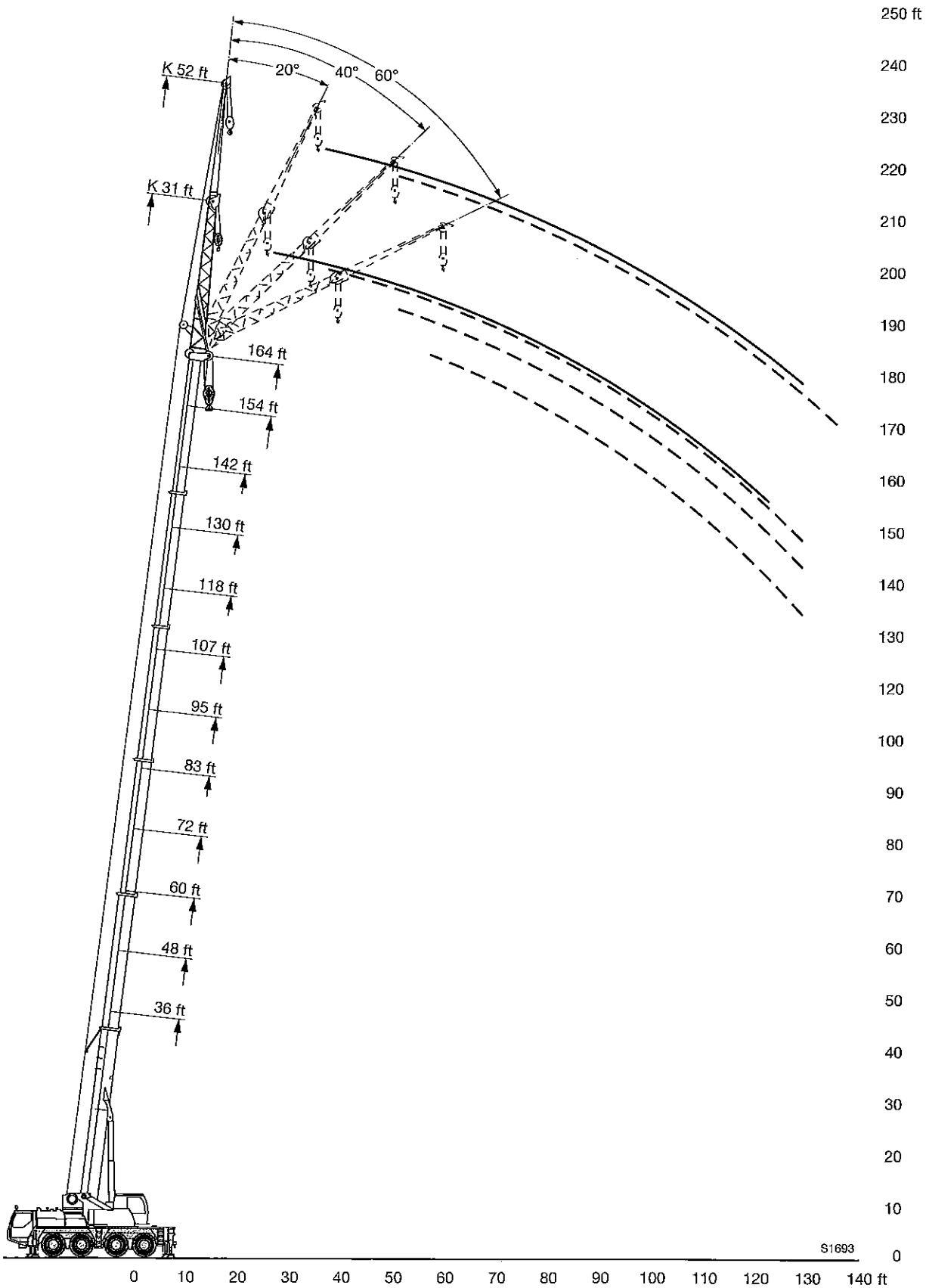


Preliminary  
Préliminaire

ft	107 ft				118 ft				130 ft				142 ft				154 ft				164 ft		ft	
	52 ft				52 ft				52 ft				52 ft				52 ft				52 ft			
	0°	20°	40°	60°	0°	20°	40°	60°	0°	20°	40°	60°	0°	20°	40°	60°	0°	20°	40°	60°	0°	20°		
16	13.9																						16	
17	13.8																						17	
18	13.7																						18	
20	13.4				10.8																		20	
22	13.1				10.7			9.9															22	
24	12.8				10.7			9.9															24	
26	12.6				10.6			9.9				8											26	
28	12.3				10.5			9.8				7.9				7.1						6.1	28	
30	12.1				10.5			9.7				7.7				7.1						6.1	30	
32	11.9				10.4			9.6				7.6				6.9						6	32	
34	11.6				10.3			9.5				7.5				6.8						5.9	34	
36	11.4				10.1			9.4				7.4				6.8						5.9	36	
38	11.2	7.9			10	7.5		9.3				7.3				6.7						5.8	38	
40	10.9	7.9			9.9	7.5		9.2				7.2				6.6						5.7	40	
45	10.4	7.5			9.6	7.2		8.9	7			7.1	6.4			6.4						5.6	45	
50	9.9	7.2	5.7		9.3	7	5.6	8.8	6.9			6.9	6.3			6.3	5.8					5.5	5	50
55	9.4	7	5.7	5.2	9	6.7	5.6	8.6	6.6	5.4		6.8	6.2	5.3		6.2	5.7					5.3	5	55
60	9	6.7	5.5	5.2	8.7	6.5	5.5	8.3	6.5	5.4		6.6	6.1	5.3		6.1	5.7					5.3	4.9	60
65	8.5	6.5	5.4	5.1	8.4	6.3	5.3	8.1	6.3	5.3	5	6.5	5.9	5.2	4.9	6	5.7	5.1				5.2	4.9	65
70	8.2	6.3	5.3	5.1	8.1	6.1	5.3	7.9	6.1	5.2	5	6.4	5.8	5.1	4.9	5.9	5.6	5	4.8			5.1	4.9	70
75	7.8	6.1	5.2	5	7.8	6	5.2	7.7	5.9	5.1	5	6.4	5.7	5	4.9	5.8	5.5	5	4.8			5	4.8	75
80	7.5	5.9	5.1	5	7.5	5.8	5.1	7.4	5.8	5.1	4.9	6.3	5.6	5	4.9	5.7	5.5	4.9	4.8			5	4.8	80
85	7.2	5.7	5.1	5	7.3	5.7	5	7.1	5.7	5	4.9	6.2	5.5	4.9	4.9	5.7	5.4	4.9	4.8			4.9	4.8	85
90	7	5.6	5	5	7	5.5	5	6.4	5.5	5	4.9	6	5.4	4.9	4.9	5.6	5.3	4.8	4.8			4.9	4.8	90
95	6.7	5.5	5	5	6.5	5.4	4.9	5.8	5.4	4.9	4.9	5.7	5.3	4.8	4.9	5.2	5.2	4.8	4.8			4.7	4.7	95
100	6.4	5.4	4.9	5	5.8	5.3	4.9	5.4	5.3	4.9	4.9	5.4	5.1	4.8	4.9	4.6	5.1	4.8	4.8			4.4	4.7	100
105	5.9	5.3	4.9	5	5.2	5.2	4.9	5	5.1	5.2	4.9	4.9	4.8	5	4.8	4.9	4	5	4.7	4.8		3.8	4.6	105
110	5.3	5.1	4.9	5	4.6	5.1	4.9	5	4.8	4.9	4.8	4.9	4.2	4.9	4.7	4.9	3.5	4.4	4.7	4.8		3.3	4.1	110
115	4.8	5	4.9	5	4.1	4.8	4.9	5	4.3	4.7	4.7	4.9	3.7	4.5	4.6	4.8	3	3.8	4.4	4.6		2.8	3.6	115
120	4.3	4.8	4.8	4.9	3.7	4.2	4.7	4.8	3.9	4.4	4.6	4.7	3.3	4	4.4	4.6	2.6	3.3	3.9	4.2		2.3	3.1	120
125	3.9	4.3	4.5	4.4	3.2	3.7	4.1	4.2	3.4	4	4.4	4.5	2.8	3.5	4	4.2	2.1	2.8	3.4	3.7		1.9	2.7	125
130	3.4	3.8	4	3.7	2.8	3.3	3.6	3.6	3	3.6	3.9	4	2.5	3	3.5	3.6	1.7	2.4	2.9	3.1		1.6	2.2	130
135	3	3.3	3.4		2.4	2.9	3.1	3	2.7	3.1	3.5	3.5	2.1	2.6	3	3.1		2	2.5	2.6			1.9	135
140	2.6	2.9			2	2.4	2.6		2.3	2.8	3	3	1.8	2.3	2.6	2.6		1.6	2	2.1				140
145	2.3				1.7	2	2.1		2	2.4	2.6	2.4		1.9	2.2	2.2								145
150	1.9				1.4	1.6	1.6		1.7	2	2.2	1.9		1.6	1.8	1.8								150
155									1.7	1.7				1.5										155

TAB 153498 / 153499 / 153500 / 153501

# Lifting heights Hauteurs de levage



# Lifting capacities on the hydraulically variable folding jib

## Capacités de levage à la flèche pliante à variation hydraulique

36 - 95 ft  
 31 ft  
 360°  
 32000 lbs  
 85%

Preliminary  
Préliminaire

ft	36 ft				48 ft				60 ft				72 ft				83 ft				95 ft				ft									
	31 ft				31 ft				31 ft				31 ft				31 ft				31 ft													
	0°	20°	40°	60°	0°	20°	40°	60°	0°	20°	40°	60°	0°	20°	40°	60°	0°	20°	40°	60°	0°	20°	40°	60°										
12	25.1				25.1				25.1				25.1				25.1				25.1				25.1									
14	25.1	22.8			25.1	23.2			25.1				25.1				25.1				25.1				25.1									
17	25.1	21.2			25.1	22.1			25.1	22.6			25.1	21.3			25.1	21.4			25.1				25.1									
20	25.1	19.8	15		25.1	20.7	15.3		25.1	21.3			25.1	21.2			25.1	21.3			25.1	21.3			25.1	19.8								
23	25.1	18.6	15		25.1	19.6	15.3		25.1	20.2			25.1	20.3			25.1	20.4			25.1	20.4			25.1	19.8								
26	25.1	17.6	14.5	11.6	25.1	18.6	14.8		25.1	19.3	14.9		25.1	19.3	14.9		25.1	19.6			25.1	19.6			25.1	19								
29	23.7	16.6	14.1	11.3	25.1	17.7	14.4	11.4	25.1	18.4	14.6		25.1	18.6	14.6		25.1	18.8	14.6		25.1	18.8	14.6		25.1	18.4	14.4							
32	21.7	15.8	13.7	11.1	24.8	16.9	14	11.2	25.1	17.7	14.2	11.4	25.1	17.9	14.3	11.4	25.1	18.2	14.3	11.4	25.1	18.2	14.3	11.4	25.1	17.8	14.2							
35	19.9	15.2	13.2	10.9	23.5	16.2	13.5	11	24.7	17	13.9	11.2	24.9	17.2	14	11.2	25.1	17.6	14	11.3	24.8	17.3	13.8											
38	18.2	14.6	12.7	10.7	21.8	15.6	13.1	10.9	24	16.3	13.5	11	24.7	16.7	13.7	11.1	25.1	17	13.7	11.2	24.3	16.7	13.4	11.1										
44	15.2	13.5	11.9	10.7	18.7	14.5	12.4	10.7	21.6	15.2	12.8	10.7	22.9	15.6	13.1	10.8	22.9	16	13.1	10.9	22.7	15.9	12.9	10.9										
50	13.1	12.5	11.5	10.7	16.2	13.6	11.9	10.6	18.9	14.4	12.3	10.6	20.6	14.8	12.5	10.7	19.6	15.2	12.6	10.7	19.8	15.2	12.5	10.7										
56	11.3	11.9			14.1	12.8	11.5	10.6	16.6	13.7	11.9	10.5	17.9	14.1	12.1	10.6	16.4	14.5	12.3	10.6	16.7	14.6	12.2	10.6										
62					12.4	12.1	11.4		14.7	13	11.5	10.5	15.3	13.5	11.7	10.5	13.9	13.9	12	10.6	14.3	14	12	10.6										
68									13	12.3	11.4	10.5	13.1	12.9	11.5	10.5	11.9	12.8	11.7	10.5	12.3	13	11.7	10.5										
74									11.5	11.6	11.2		11.2	11.8	11.2	10.5	10.2	10.9	11.1	10.4	10.6	11.3	11.3	10.5										
80													9.6	10.1	10.3		8.7	9.3	9.7	9.7	9.2	9.8	10.3	10.3										
86													8.4	8.7			7.5	8	8.2	8.2	8	8.5	8.8	8.9										
92																	6.4	6.8	7		6.9	7.3	7.6	7.6										
98																	5.4	5.7	5.8		6	6.3	6.5	6.4										
104																		4.6	4.7		5.1	5.5	5.6											
110																					4.4	4.6	4.6											
116																					3.7													

TAB 153506 / 153507 / 153508 / 153509

107 - 164 ft  
 31 ft  
 360°  
 32000 lbs  
 85%

Preliminary  
Préliminaire

ft	107 ft				118 ft				130 ft				142 ft				154 ft				164 ft				ft									
	31 ft				31 ft				31 ft				31 ft				31 ft				31 ft													
	0°	20°	40°	60°	0°	20°	40°	60°	0°	20°	40°	60°	0°	20°	40°	60°	0°	20°	40°	60°	0°	20°	40°	60°										
14	25.1																																	
17	25.1																																	
20	25.1																																	
23	25.1																																	
26	25.1	18.5																																
29	24.6	18																																
32	24.1	17.4	14																															
35	23.5	17	13.7																															
38	23	16.5	13.3	11.1																														
44	21.2	15.8	12.8	10.9																														
50	18.2	15.1	12.4	10.8																														
56	15.3	14.6	12.2	10.7																														
62	13	13.6	12	10.6																														
68	11	12	11.7	10.5																														
74	9.4	10.3	10.9	10.4																														
80	8	8.8	9.4	9.7																														
86	6.9	7.5	8	8.2																														
92	5.9	6.4	6.8	7																														
98	5	5.5	5.8	5.9																														
104	4.3	4.6	4.9	4.9																														
110	3.5	3.9	4	3.9																														
116	2.8	3.1	3.2																															
122	2.2	2.4																																
128																																		
134																																		
140																																		

TAB 153506 / 153507 / 153508 / 153509

# Lifting capacities on the hydraulically variable folding jib Capacités de levage à la flèche pliante à variation hydraulique

85%

Preliminary  
Préliminaire

	36 ft				48 ft				60 ft				72 ft				83 ft				95 ft				ft							
	52 ft				52 ft				52 ft				52 ft				52 ft				52 ft											
	0°	20°	40°	60°	0°	20°	40°	60°	0°	20°	40°	60°	0°	20°	40°	60°	0°	20°	40°	60°	0°	20°	40°	60°	0°	20°	40°	60°				
12	18.3				18.7				18.5				17.4								16.4					15						12
14	17.4				18				18				17.1								16.1					14.8						14
17	16				16.9				17.1				16.5								15.6					14.6						17
20	14.7	9.6			15.8				16.2				15.8								15					14.1						20
23	13.8	9.5			14.6				15.3				15.1								14.4					13.7						23
26	12.8	9			13.8	9.2			14.3	9.4			14.4								13.9	9				13.2						26
29	11.9	8.5			13	8.8			13.5	9			13.7	8.9							13.3	8.7				12.7	8.5					29
32	11.1	8.1			12.1	8.4			12.8	8.6			13	8.7							12.7	8.4				12.1	8.3					32
35	10.3	7.8			11.4	8.1			12	8.3			12.3	8.3							12.1	8.2				11.6	8.1					35
38	9.5	7.4	6.1		10.7	7.7	6.2		11.2	8	6.3		11.7	8.1							11.7	7.7	6			10.7	7.6	6				38
44	8.5	6.8	5.9		9.4	7.1	6		10.1	7.4	6		10.5	7.5	6						11	7.2	5.9			10	7.2	5.8				44
50	7.7	6.3	5.6	5.3	8.5	6.7	5.7	5.3	9.2	6.9	5.8	5.3	9.6	7.1	5.8						9.3	6.9	5.7	5.3		9.3	6.9	5.7	5.2			50
56	7	5.9	5.3	5.2	7.8	6.3	5.5	5.2	8.4	6.5	5.6	5.3	8.9	6.7	5.6	5.3					8.6	6.5	5.5	5.2		8.7	6.6	5.5	5.2			56
62	6.4	5.6	5.2	5.1	7.2	5.9	5.3	5.2	7.8	6.2	5.4	5.2	8.2	6.3	5.4	5.2					8.1	6.2	5.3	5.1		8.2	6.3	5.4	5.1			62
68	5.9	5.3	5.1		6.6	5.6	5.1	5.1	7.2	5.9	5.2	5.1	7.6	6	5.3	5.1					7.6	6	5.2	5.1		7.7	6	5.2	5.1			68
74	5.4	5.1			6.1	5.3	5	5.1	6.7	5.6	5.1	5.1	7.1	5.8	5.2	5.1					6.3	5.4	5	5.1		6.5	5.5	5	5.1			74
80					5.7	5.1	5		6.2	5.4	5	5.1	6.7	5.6	5.1	5.1					6.3	5.4	5	5.1		6.3	5.3	4.9	5.1			80
86					5.3				5.9	5.2	5		6.3	5.4	5	5.1					6.3	5.4	5	5.1		6.5	5.5	5	5.1			86
92									5.5	5.1	5		5.9	5.2	5	5.1					6.3	5.4	5	5.1		6.5	5.5	5	5.1			92
98									5.2	5	5		5.6	5.1	5	5.1					6	5.2	4.9	5.1		6.3	5.3	4.9	5.1			98
104													5.3	5	5						5.5	5.1	4.9	5.1		5.7	5.2	4.9	5.1			104
110													5.1	5							4.7	5	4.9	4.9		5.1	5.1	4.9	5.1			110
116																					4.1	4.5	4.5			4.4	4.8	4.9	4.9			116
122																					3.4	3.7				3.8	4.2	4.4				122
128																										3.2	3.6	3.6				128
134																										2.8	3					134

TAB 153506 / 153507 / 153508 / 153509

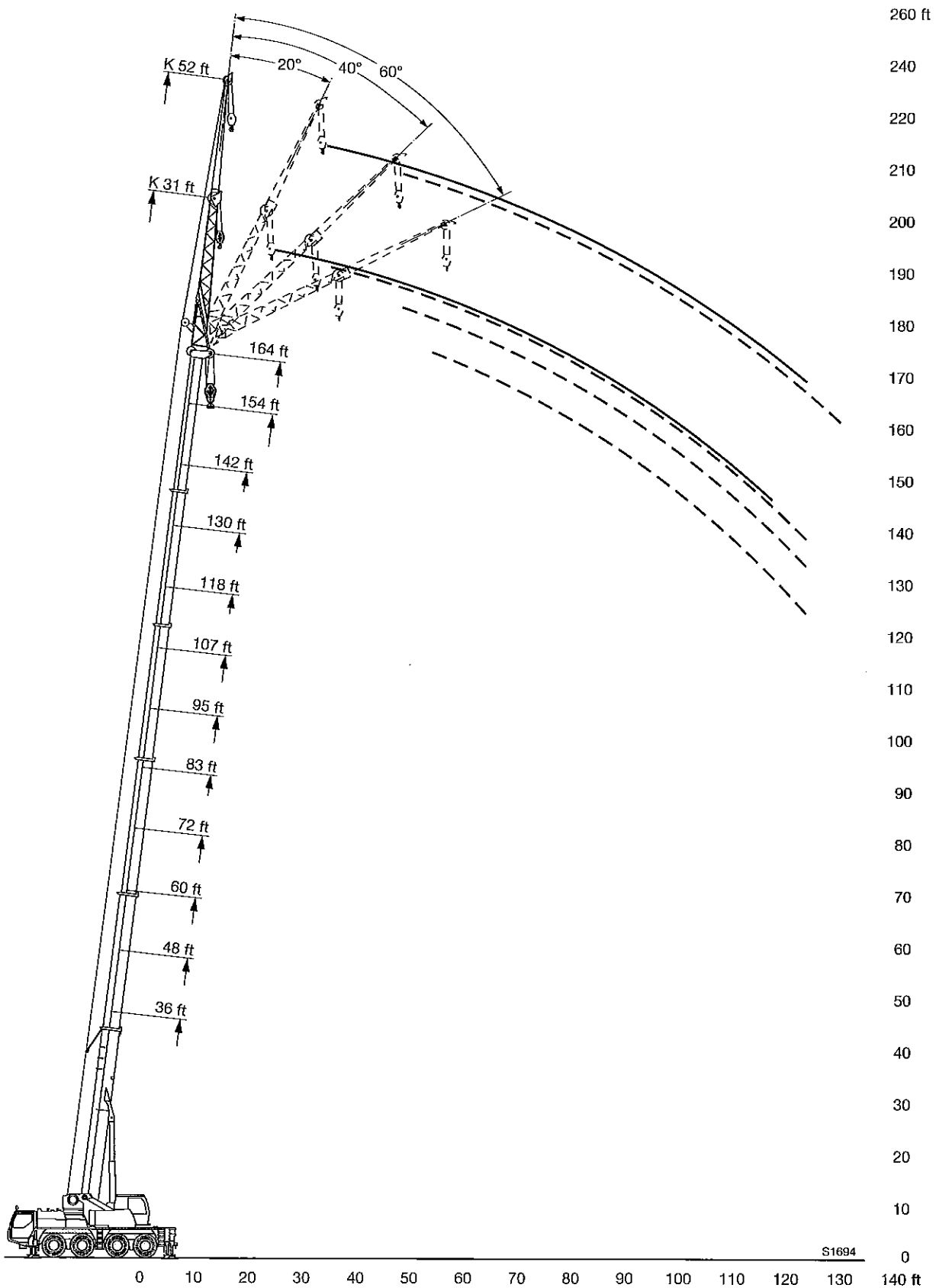
85%

Preliminary  
Préliminaire

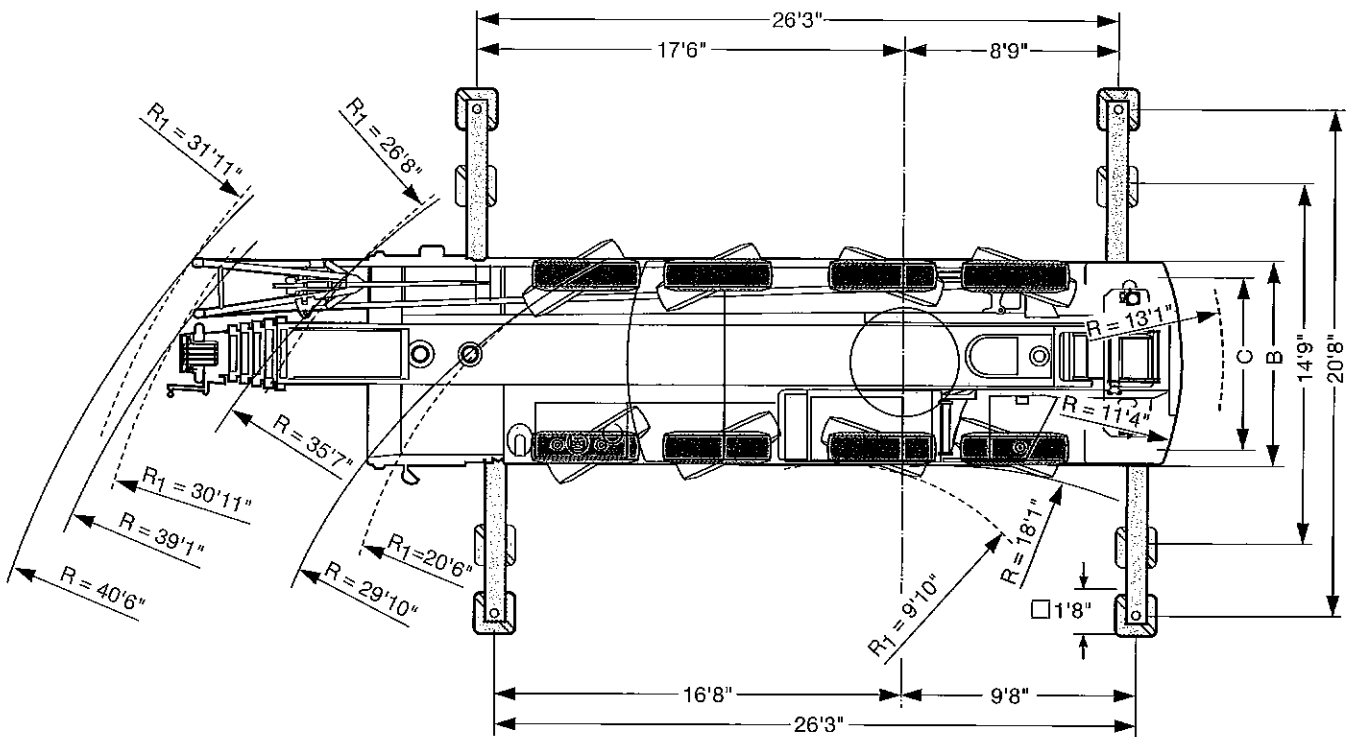
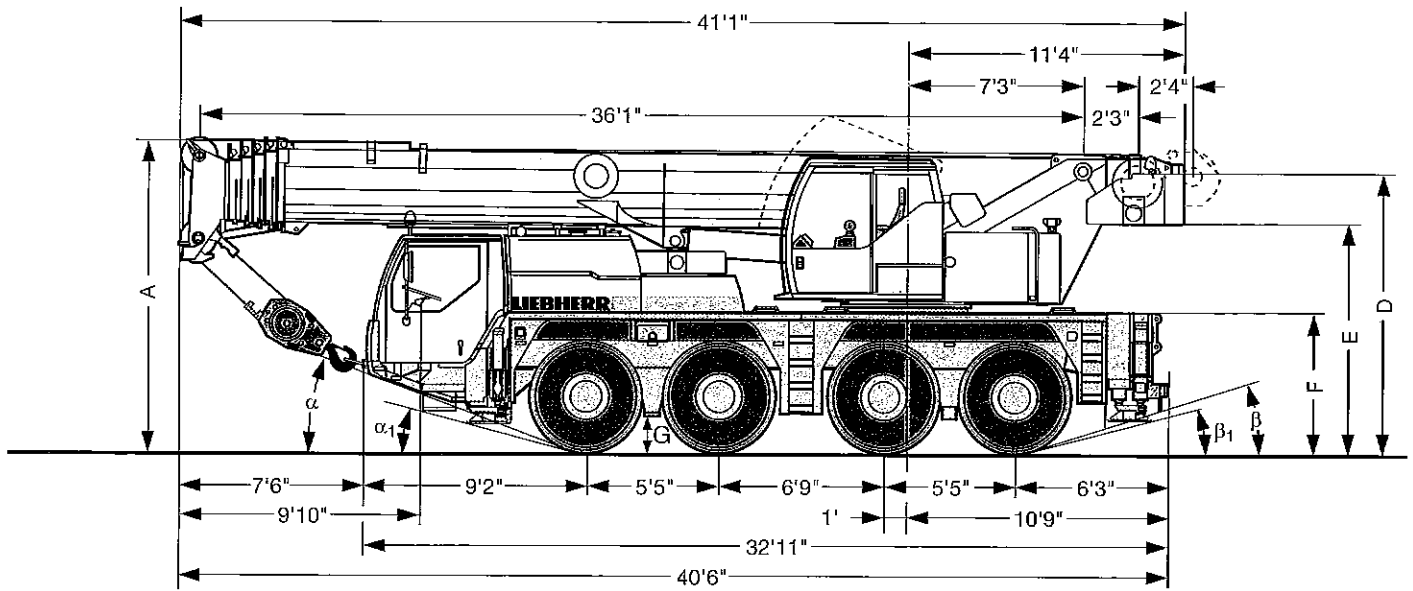
	107 ft				118 ft				130 ft				142 ft				154 ft				164 ft		ft										
	52 ft				52 ft				52 ft				52 ft				52 ft				52 ft												
	0°	20°	40°	60°	0°	20°	40°	60°	0°	20°	40°	60°	0°	20°	40°	60°	0°	20°	40°	60°	0°	20°	40°	60°	0°	20°							
17	13.8																														17		
20	13.4								9.9																							20	
23	12.9				10.8				9.9																							23	
26	12.6				10.7				9.9						8																	26	
29	12.2				10.6				9.9						7.8																	29	
32	11.9				10.5				9.8						7.6																	32	
35	11.5				10.4				9.6						7.4																	35	
38	11.2	7.9			10.2				9.4						7.3																	38	
44	10.5	7.6			10	7.5			9.3						7.1																	44	
50	9.9	7.2	5.7		9.7	7.3			9	7					6.4																	50	
56	9.3	6.9	5.6	5.2	9.3	7	5.6		8.8	6.9					6.3																	56	
62	8.8	6.6	5.5	5.2	8.9	6.7	5.5		8.5	6.6	5.4				6.2	5.3																62	
68	8.3	6.4	5.4	5.1	8.5	6.4	5.4	5.1	8.2	6.4	5.4	5			6	5.2	4.9															68	
74	7.9	6.1	5.3	5	8.2	6.2	5.3	5	8	6.2	5.3	5			5.9	5.1	4.9															74	
80	7.5	5.9	5.1	5	7.8	6	5.2	5	7.7	6	5.2	5			5.7	5	4.9															80	
86	7	5.7	5.1	5	7.5	5.8	5.1	5	7.4	5.8	5.1	4.9			5.6	5	4.9															86	
92	6.4	5.5	5	5	7.2	5.6	5	5	7	5.6	5	4.9			5.5	4.9	4.9															92	
98	5.5	5.4	4.9	5	6.9	5.5	4.9	5	6	5.5	4.9	4.9			5.3	4.9	4.9															98	
104	4.7	5.3	4.9	5	6.1	5.4	4.9	5	5.2	5.4	4.9	4.9			5.2	4.8	4.9															104	
110	4.1	4.7	4.9	5	5.3	5.2	4.9	5	4.4	5.2	4.9	4.9			4.9	5	4.8															110	
116	3.5	4.1	4.5	4.6	4.6	5.1	4.9	5	3.8	4.6	4.8	4.9			4.9	4.2	4.9															116	
122	2.9	3.5	3.8	3.8	4	4.7	4.9	5	3.2	3.9	4.4	4.6			4.7	4.8	4.9															122	
128	2.4	2.9	3.2	2.9	3.5	4	4.4	4.5	2.7	3.3	3.8	4			4.2	4.4	4.4															128	
134	1.9	2.3	2.5		3	3.5	3.8	3.8	2.2	2.8	3.2	3.3			3.7	3.9	3.9															134	
140		1.8			2.5	3	3.2	3.1	1.7	2.3	2.6	2.6			3.1	3.2																140	
146					2	2.4	2.6		1.8	2.1					2.3	2.6	2.6																146
152					1.6	1.9	2								1.8	2.1	2.1																152

TAB 153506 / 153507 / 153508 / 153509

# Lifting heights Hauteurs de levage




# Dimensions Encombremet



S1691

R<sub>1</sub> = All-wheel steering / Direction toutes roues

	Dimensions / Encombremet											
	A	A	B	C	D	E	F	G	α	α <sub>1</sub>	β	β <sub>1</sub>
16.00 R 25	12'10"	0'4" *	8'10"	7'4"	11'7"	9'5"	5'9"	1'6"	22°	16°	20°	16°
20.5 R 25	12'10"	12'6"	9'3"	7'5"	11'7"	9'5"	5'9"	1'6"	22°	16°	20°	16°

\* lowered / abaissé

## Weights Poids



Axle Essieu lbs	1	2	3	4	Total weight Poids total 105600 <sup>1)</sup>
	26400	26400	26400	26400	

<sup>1)</sup> with 23600 lbs counterweight and folding jib / avec contrepois 23600 lbs et flèche pliante



Load (kips) Forces de levage (kips)	No. of sheaves Poulies	No. of lines Brins	Weight lbs Poids lbs
156.8	7	14	1102
130.8	5	11	1102
85.7	3	7	992
35.8	1	3	662
12.7	-	1	308

## Working speeds Vitesses



		1	2	3	4	5	6	R 1	R 2	
16.00 R 25	mph	6	9.2	14.4	22.3	32.9	49.8	5.8	14.4	38 %
20.5 R 25		3.8	5.9	9.3	14.5	21.2	33	3.8	9.3	60 %



Drive  
Mécanismes



infinitely variable  
en continu

Rope diameter / Rope length  
Diamètre du câble / Longueur du câble

Max. single line pull  
Effort au brin maxi.

0 - 410 ft/min single line  
ft/min au brin simple

0.7" / 656 ft

12600 lbs



0 - 410 ft/min single line  
ft/min au brin simple

0.7" / 853 ft

12600 lbs



0 - 1,5 min<sup>-1</sup>



approx. 55 seconds to reach 83° boom angle  
env. 55 s jusqu'à 83°



approx. 260 seconds for boom extension from 36 ft - 164 ft  
env. 260 s pour passer de 36 ft - 164 ft

# Equipment Equipment

## Crane carrier

<b>Frame</b>	Self-manufactured, weight-optimized and torsion resistant box-type design of high-tensile structural steel.
<b>Outriggers</b>	4-point supporting system, hydraulically telescopic into horizontal and vertical direction. Automatic levelling of crane. Electronic inclination indicator.
<b>Engine</b>	6-cylinder Diesel engine, make Liebherr, type D 926 TI-E A4, watercooled, 270 kW (367 HP) at 2100 rpm acc. to ECE-R 24.03 and 2001/27/EG (Euro 3), max. torque 1215 lbs/ft at 1400 rpm, electronic engine management. Fuel tank: 92 gallons.
<b>Transmission</b>	ZF automatic transmission, type 6 WG 310, with torque converter, lock-up, integrated off-road ratio and additional activation of front wheel drive, 6 forwards and 2 reverse speeds.
<b>Axles</b>	Welded design, made of high-tensile fine grained steel. All axles steerable. Axles 3 and 4 are planetary axles with differential locks.
<b>Suspension</b>	All axles are mounted on hydropneumatic suspension and are lockable hydraulically.
<b>Tyres</b>	8 tyres, size: 16.00 R 25.
<b>Steering</b>	Front axles mechanically steered, with hydraulic power assistance and stand-by steering pump. Rear axles hydraulically steered. All axles steered hydrostatically from crane cab. Steering acc. to EC directive 70/311/EEC.
<b>Brakes</b>	Service brake: Dual circuit, all-wheel servo-air brake. Parking brake: Spring brake actuator, acting on the wheels of the 2 <sup>nd</sup> , 3 <sup>rd</sup> and 4 <sup>th</sup> axle. Sustained-action brakes: Engine brake as exhaust retarder with Liebherr additional brake system ZBS. ABV in conjunction with ASR. Brakes acc. to EG directives 71/320 EWG.
<b>Driver's cab</b>	Spacious, steel made, corrosion resistant cab, cataphoretic dip-primed, on resilient suspension with hydraulic shock absorbers, sound and heat absorbing internal panelling acc. to EG directive, safety glazing, operating and control instruments, comfortably equipped.
<b>Electrical system</b>	Modern data bus technique, 24 Volt DC, 2 batteries of 170 Ah each, lighting according to traffic regulations.

## Crane superstructure

<b>Frame</b>	Self-manufactured, cataphoretic dip-primed weight-optimized and torsion resistant welded design of high-tensile structural steel; linked by a triple-row roller slewing ring to the carrier for continuous rotation.
<b>Crane drive</b>	Diesel-hydraulic with 1 axial variable displacement pump with automatic capacity control, 1 double gear pump, driven by the carrier Diesel engine, open regulated oil circuits with electrically controlled "load sensing", operation of 4 movements simultaneously.
<b>Crane control</b>	Electrical control of drives by self-centering joysticks, armrest-integrated control elements, Liebherr system bus (LSB).
<b>Hoist gear</b>	Axial piston fixed displacement motor, Liebherr hoist drum with integrated planetary gear and spring-loaded static brake. Hoist gear is driven through a controlled open oil circuit.
<b>Luffing gear</b>	1 differential ram with safety check valves.
<b>Slewing gear</b>	Axial piston fixed displacement motor, planetary gear, spring-loaded static brake. Slewing gear invertible from released to locked as a standard feature.
<b>Crane cab</b>	All-steel construction, entirely galvanized, powder coated, with safety glazing, operating and control instruments, comfortably equipped, cab tiltable backwards.
<b>Safety devices</b>	LICCON safe load indicator, test system hoist limit switch, safety valves to prevent pipe and hose ruptures.
<b>Telescopic boom</b>	Buckling and torsion resistant design of high-tensile structural steel, oviform boom profile, 1 base section and 5 telescopic sections. All telescopic sections hydraulically extendable independent of one another. Rapid-cycle telescoping system "Telematik". Boom length: 36 ft – 164 ft.
<b>Counterweight</b>	23600 lbs basic counterweight.
<b>Electrical system</b>	Modern data bus technique, 24 Volt DC.

## Additional equipment

<b>Swing-away jib</b>	31 ft – 52 ft long, mountable to the telescopic boom at 0°, 20°, 40° or 60°. Hydraulic ram for operating the swing-away jib from 0° – 60° (option).
<b>2<sup>nd</sup> hoist gear</b>	For two-hook operation or for operation with swing-away jib if the hoist rope shall remain reeved.
<b>Additional counterweight</b>	8400 lbs for a total counterweight of 32000 lbs.
<b>Tyres</b>	8 tyres, size 20.5 R 25.
<b>Drive 8 x 6</b>	Additional drive of the 1 <sup>st</sup> axle.

Other items of equipment available on request.