



**AMERICAN HC230** | Crawler Crane 230 ton Lifting Capacity

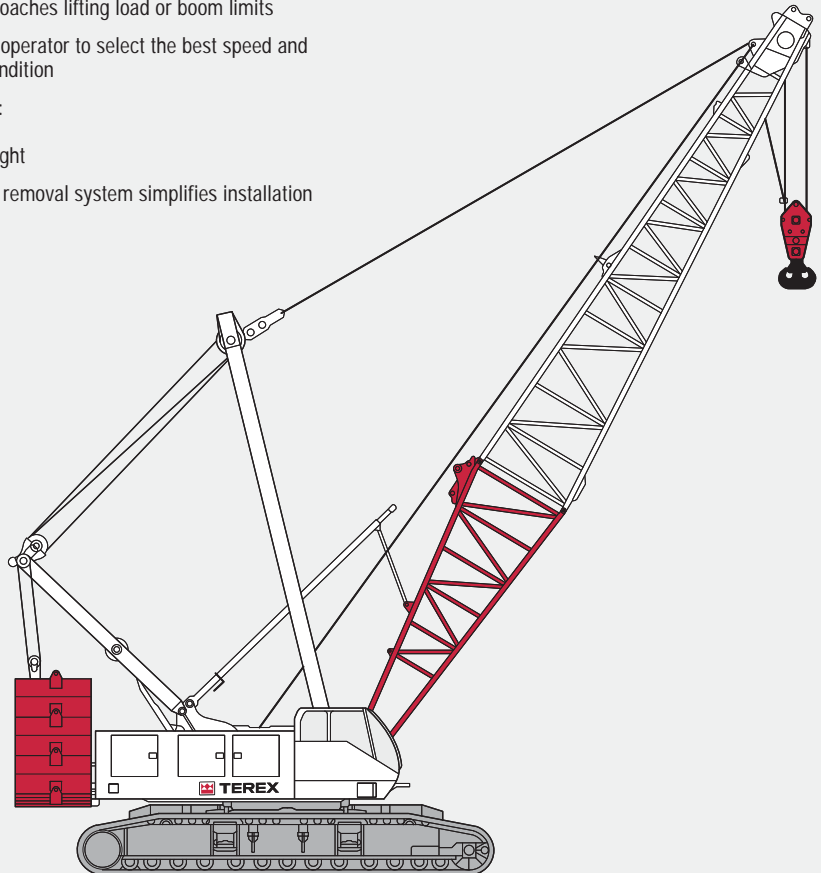


# **AMERICAN HC230**

## HYDRAULIC CRAWLER CRANE

# AMERICAN HC230 HIGHLIGHTS

- 230 tons (208.7 mt) maximum lifting capacity
- Increased capacity at working radii with optional CTWT Plus package
- Power up / down and freefall on main and auxiliary drums
- Quiet, comfortable operator's cab with excellent viewing range
- Shockless stop system gradually retards operating speed to reduce shocks when crane approaches lifting load or boom limits
- Two speed travel allows operator to select the best speed and power control for any condition
- Superior Transportability:
  - 12 ft (3.66 m) width
  - 11 ft 5 in. (3.48 m) height
- Hydraulic counterweight removal system simplifies installation and removal



**CONTENTS**

Page:

**Specifications**

Dimensions .....	4
------------------	---

**Main boom**

Range diagram 77SI boom .....	6
With hammerhead tip and 128,400 pound upper counterweight .....	7
Range diagram 77SI boom .....	8
With offset tip and 128,400 pound upper counterweight .....	9
Range diagram 92SI boom .....	10
With offset tip and 128,400 pound upper counterweight .....	11
Range diagram 77SI boom .....	12
With hammerhead tip and 150,800 pound upper + 32,000 pound lower Counterweight .....	13
Range diagram 77SI boom .....	14
With offset tip and 150,800 pound upper + 32,000 pound lower Counterweight .....	15
Range diagram 92SI boom .....	16
With offset tip and 150,800 pound upper + 32,000 pound lower Counterweight .....	17

**Jib**

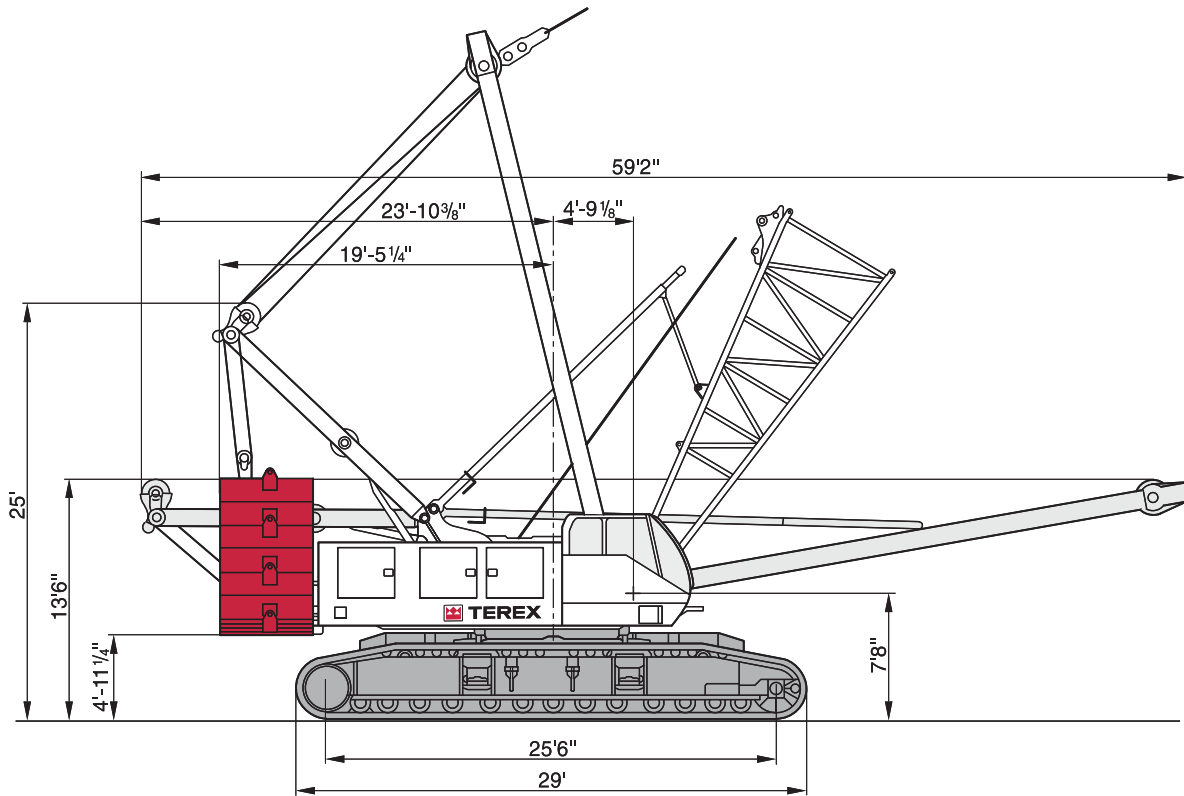
Range diagram 16HL Jib .....	18
With 77SI hammerhead tip and 16HL Jib .....	19
Range diagram 16HL Jib .....	20
With 77SI offset tip and 16HL Jib .....	21
Range diagram 16HL Jib .....	22
With 92SI offset tip and 16HL Jib .....	23
Range diagram #30 Jib .....	24
With 92SI offset tip and #30 Jib .....	25

**Technical description**

Hydraulic Crawler Crane .....	27
-------------------------------	----

**Sample Load Plan for HC 230**

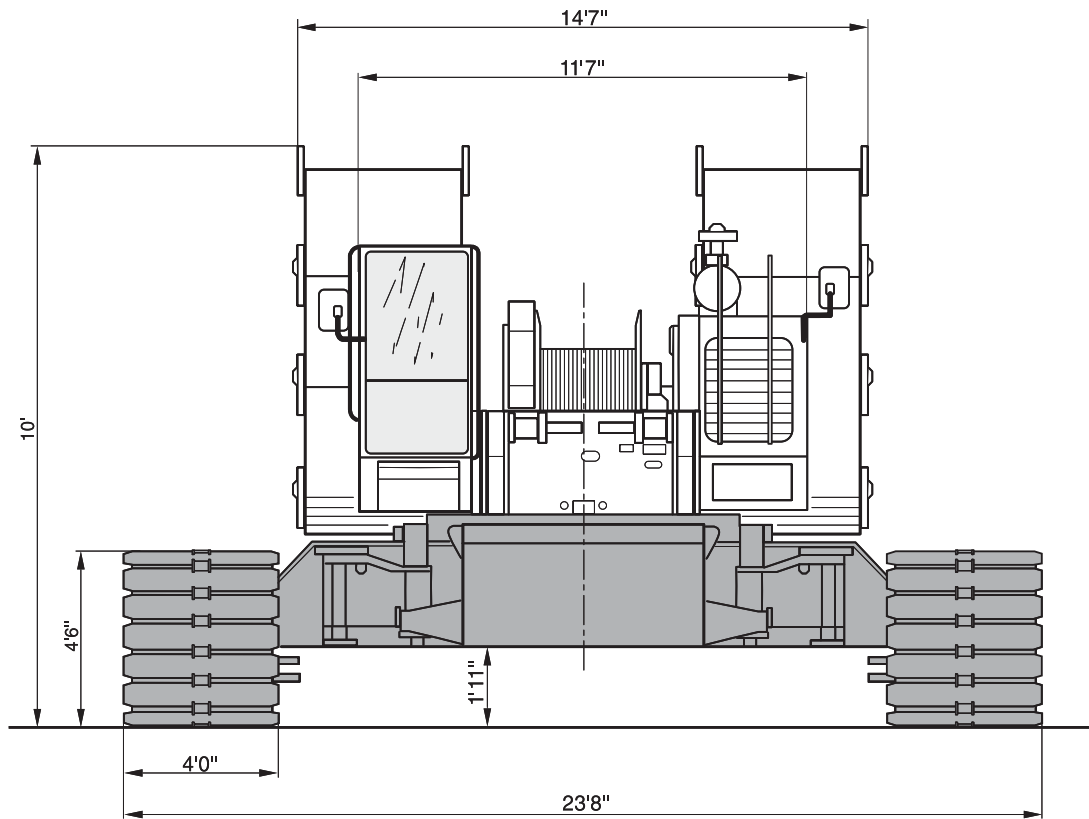
.....	28
-------	----

**DIMENSIONS**


Please consult with our traffic department for transportation dimensions.

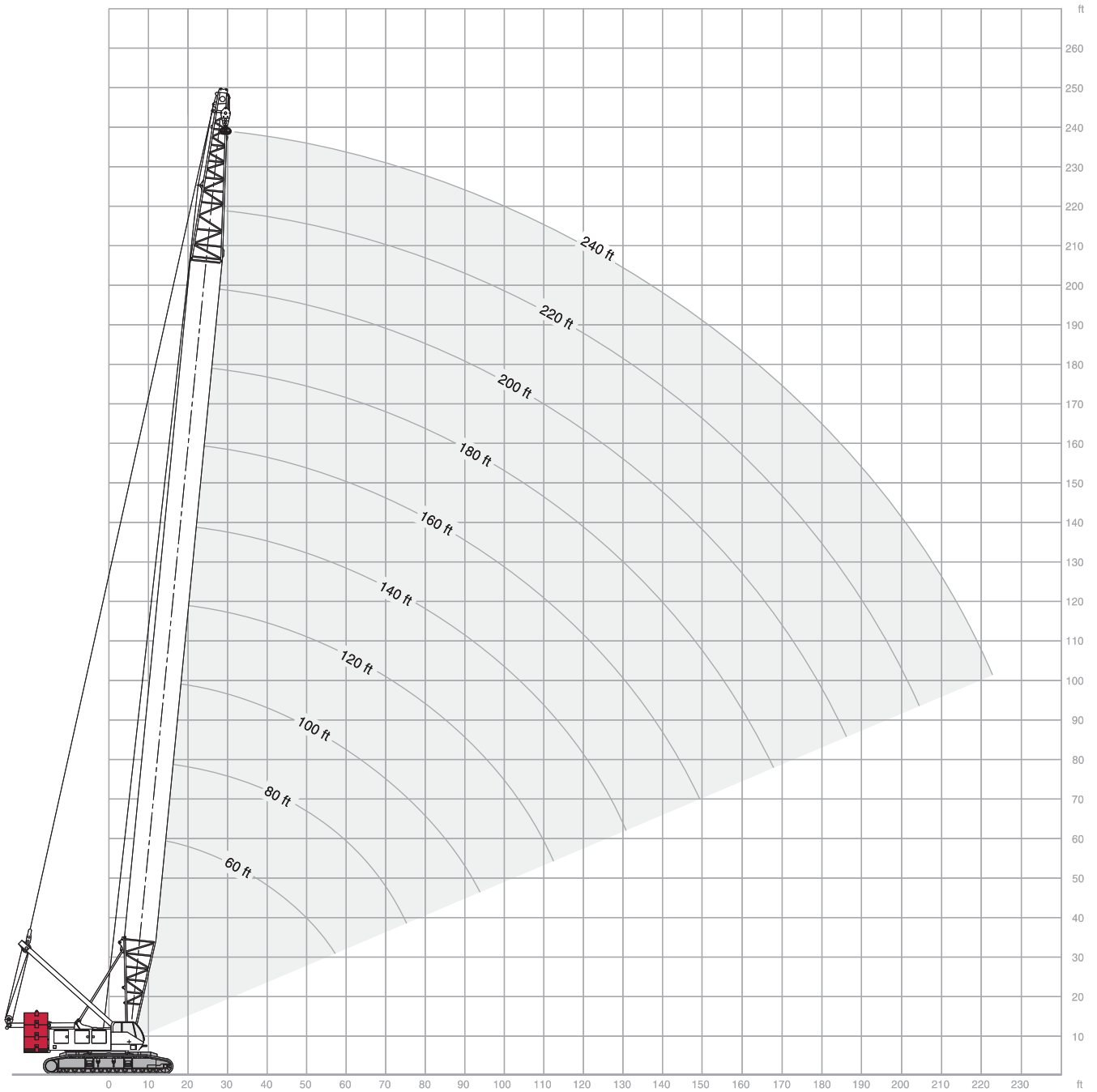
DIMENSIONS

1



Please consult with our traffic department for transportation dimensions.

**RANGE DIAGRAM, 77SI HAMMERHEAD TIP BOOM**



**WITH 77SI HAMMERHEAD TIP BOOM**

 **128,400 pound upper** **360°** **ANSI B 30.5**

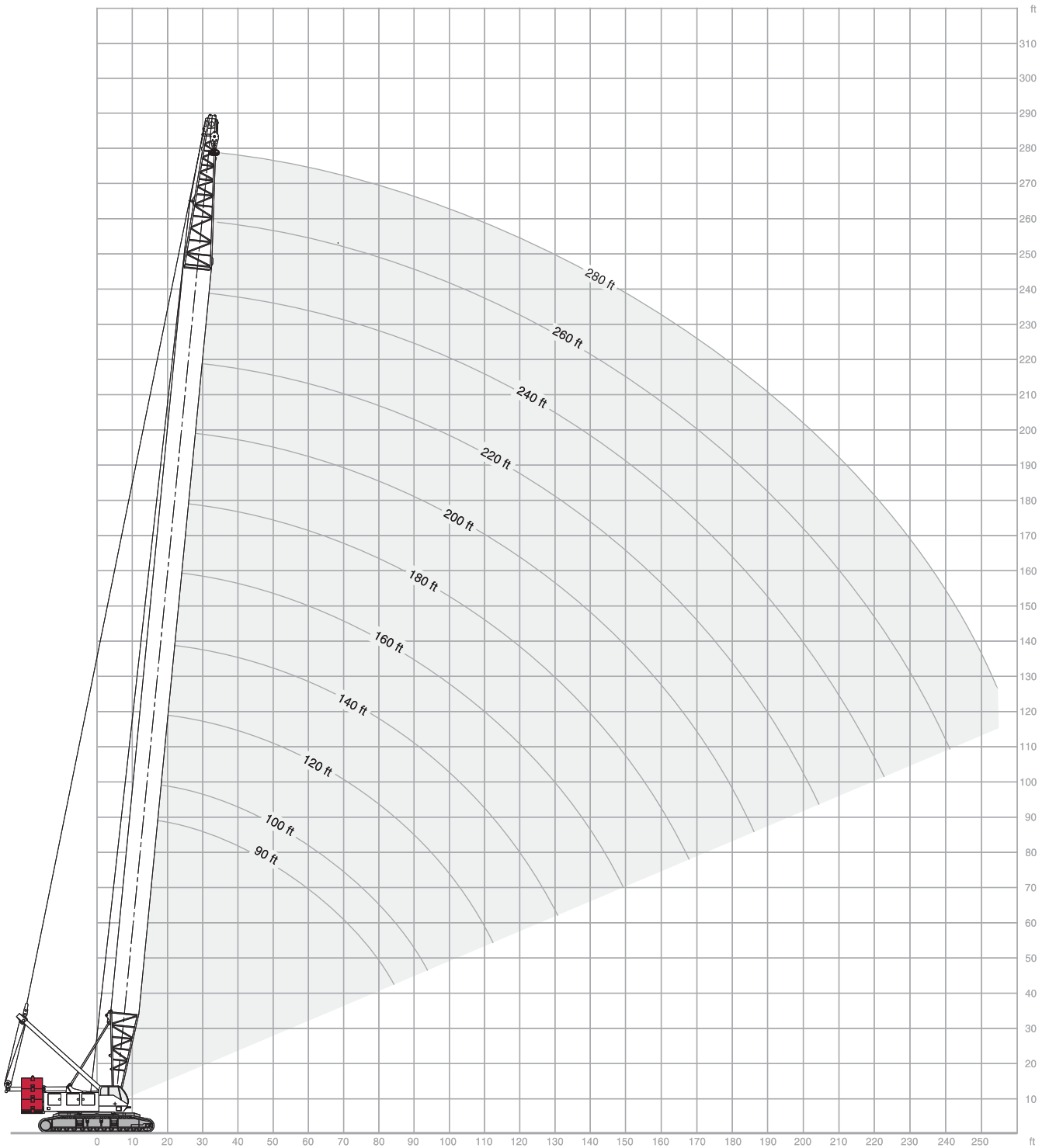
Radius (Feet)	Boom Length (Feet)									
	60	80	100	120	140	160	180	200	220	240
12	-	-	-	-	-	-	-	-	-	-
14	460.000	-	-	-	-	-	-	-	-	-
15	460.000	-	-	-	-	-	-	-	-	-
20	373.680	373.200	372.720	367.710	-	-	-	-	-	-
25	276.470	276.940	277.030	277.060	276.920	231.880	-	-	-	-
30	204.120	204.360	204.230	204.080	203.740	203.600	173.590	137.010	-	-
35	160.990	161.110	160.870	160.650	160.200	159.660	159.550	135.530	110.610	90.360
40	132.360	132.240	132.140	131.880	131.380	130.830	130.280	130.130	109.280	89.130
50	96.670	96.760	96.470	96.200	95.690	95.180	94.590	93.970	93.360	86.750
60	75.120	75.210	74.860	74.540	73.950	73.410	72.750	72.050	71.410	70.700
70	-	60.950	60.640	60.350	59.770	59.270	58.160	57.920	57.280	56.580
80	-	50.630	50.350	50.050	49.450	48.920	48.240	47.510	46.850	46.110
90	-	-	42.630	42.320	41.700	41.180	40.460	39.710	39.030	38.270
100	-	-	36.600	36.320	35.690	35.150	34.420	33.660	32.960	32.180
120	-	-	-	27.650	27.130	26.670	25.970	25.240	24.580	23.830
140	-	-	-	-	21.000	20.580	19.870	19.120	18.460	17.690
160	-	-	-	-	-	16.080	15.400	14.640	13.970	13.190
180	-	-	-	-	-	-	11.960	11.220	10.560	9.760
200	-	-	-	-	-	-	-	8.510	7.850	7.050
220	-	-	-	-	-	-	-	-	5.670	4.870

**KEY**

All ratings in pounds

 Counterweight

**RANGE DIAGRAM, 77SI OFFSET TIP BOOM**





**WITH 77SI OFFSET TIP BOOM**

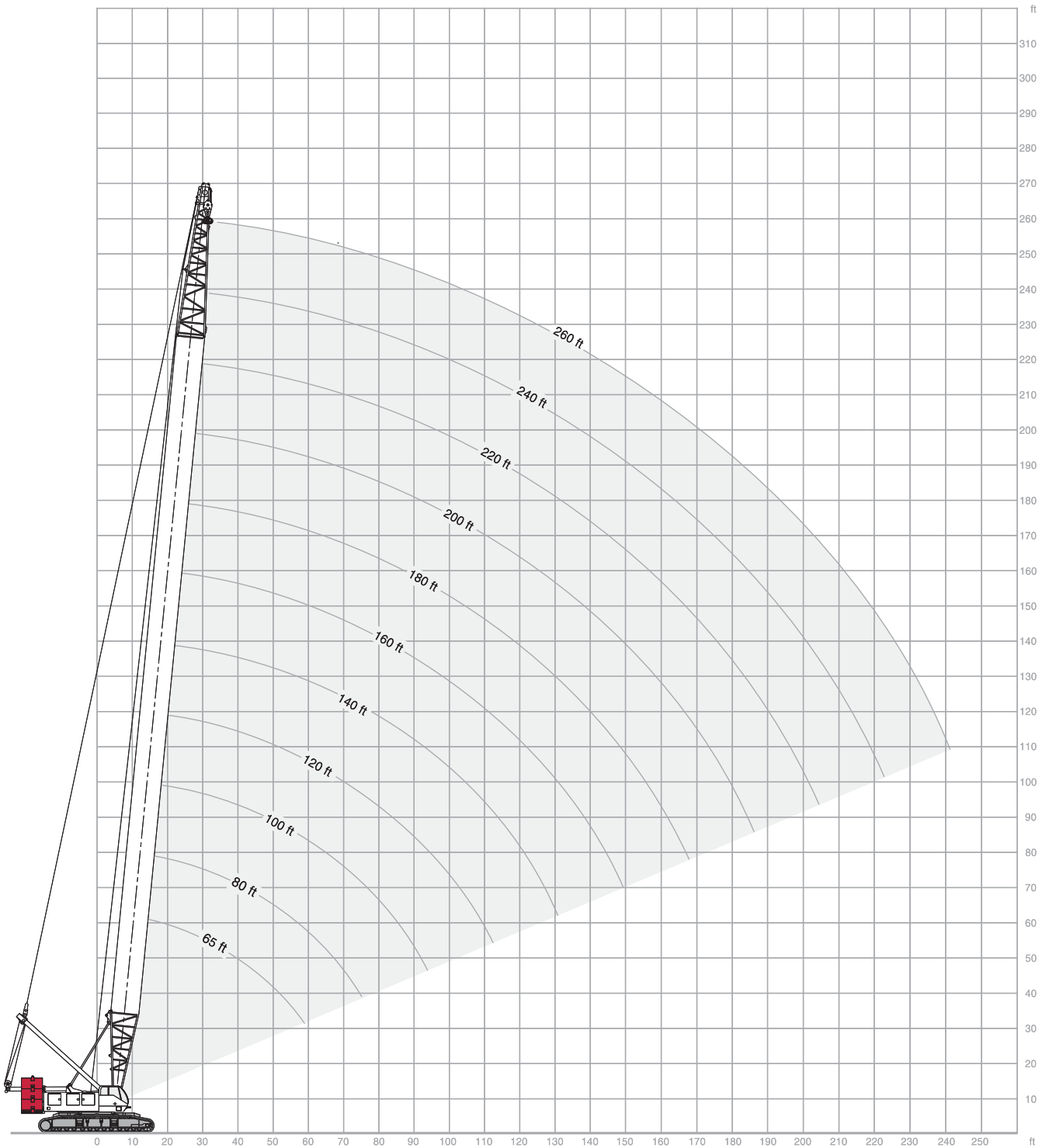
 **128,400 pound upper** **360°** **ANSI B 30.5**

Radius (Feet)	Boom Length (Feet)										
	90	100	120	140	160	180	200	220	240	260	280
15	-	-	-	-	-	-	-	-	-	-	-
20	243.930	-	-	-	-	-	-	-	-	-	-
25	243.930	243.790	243.520	-	-	-	-	-	-	-	-
30	206.630	206.460	206.170	205.930	-	-	-	-	-	-	-
35	163.530	163.310	162.920	162.640	162.110	161.650	-	-	-	-	-
40	134.750	134.490	134.010	133.670	133.060	132.410	131.690	-	-	-	-
50	99.090	98.780	98.250	97.870	97.540	96.890	96.310	95.650	85.390	74.260	62.120
60	77.790	77.490	76.930	76.560	75.880	75.150	74.530	73.800	73.100	72.110	60.140
70	63.650	63.340	62.810	62.470	61.790	61.080	60.470	49.370	59.090	58.340	57.590
80	53.420	53.120	52.570	52.200	51.500	50.750	50.130	41.600	48.690	47.920	47.140
90	45.740	45.450	44.880	44.510	43.780	43.020	42.370	41.600	40.910	40.120	39.310
100	-	39.470	38.910	38.540	37.790	37.010	36.350	35.550	34.860	34.050	33.220
120	-	-	30.320	30.040	29.350	28.610	27.990	27.210	26.570	25.790	24.980
140	-	-	-	23.980	23.300	22.550	21.920	21.130	20.480	19.680	18.870
160	-	-	-	-	18.850	18.110	17.480	16.680	16.020	15.210	14.380
180	-	-	-	-	-	14.710	14.080	13.280	12.620	11.790	10.960
200	-	-	-	-	-	-	11.410	10.600	9.940	9.110	8.260
220	-	-	-	-	-	-	-	8.450	7.780	6.940	6.090
240	-	-	-	-	-	-	-	-	6.030	5.170	4.310
260	-	-	-	-	-	-	-	-	-	3.700	-

**KEY**

All ratings in pounds

 Counterweight

**RANGE DIAGRAM, 92SI BOOM**


**WITH 92SI OFFSET TIP BOOM**

 128,400 pound upper 360° ANSI B 30.5

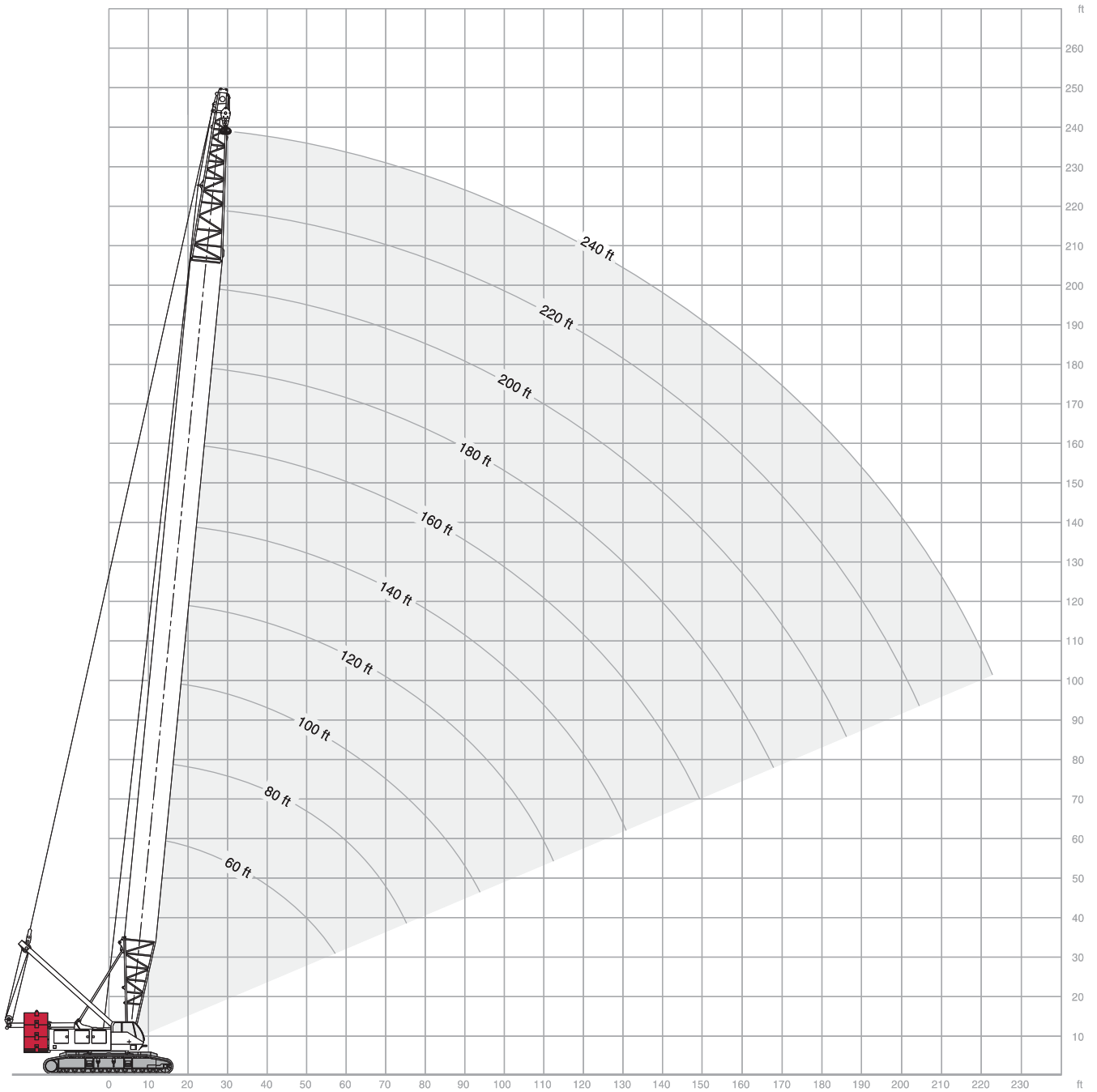
Radius (Feet)	Boom Length (Feet)										
	65	80	100	120	140	160	180	200	220	240	260
14	-	-	-	-	-	-	-	-	-	-	-
16	460.000	-	-	-	-	-	-	-	-	-	-
20	414.450	412.900	-	-	-	-	-	-	-	-	-
25	276.460	276.480	276.350	276.000	-	-	-	-	-	-	-
30	204.280	204.090	203.740	203.190	203.150	202.550	-	-	-	-	-
35	161.160	160.480	160.360	159.680	159.590	158.850	158.310	158.050	-	-	-
40	132.540	132.150	131.600	130.860	130.750	129.950	129.410	128.630	127.800	127.720	-
50	96.920	96.490	95.910	95.120	95.020	94.180	93.690	92.860	92.000	91.410	90.560
60	75.410	74.950	74.280	73.420	73.270	72.360	71.830	70.930	69.980	69.350	68.430
70	-	60.690	60.050	59.210	59.090	58.170	57.670	56.760	55.810	55.210	54.280
80	-	50.370	49.760	48.890	48.750	47.800	47.290	46.350	45.350	44.730	43.760
90	-	-	42.030	41.160	41.010	40.030	39.510	38.540	37.520	36.890	35.890
100	-	-	36.000	35.140	34.990	33.990	33.470	32.470	31.430	31.290	30.320
120	-	-	-	26.460	26.420	25.470	25.010	24.040	23.020	22.420	21.420
140	-	-	-	-	20.290	19.370	18.910	17.930	16.880	16.280	15.260
160	-	-	-	-	-	14.860	14.440	13.440	12.390	11.770	10.740
180	-	-	-	-	-	-	10.990	10.010	8.950	8.340	7.290
200	-	-	-	-	-	-	-	7.300	6.240	5.630	4.580
220	-	-	-	-	-	-	-	-	4.050	-	-
240	-	-	-	-	-	-	-	-	-	-	-

**KEY**

All ratings in pounds

 Counterweight

RANGE DIAGRAM, 77SI HAMMERHEAD TIP BOOM WITH CTWT PLUS



WITH 77SI HAMMERHEAD TIP BOOM

 150,800 pound upper + 32,000 pound lower

360°

ANSI B 30.5

Radius (Feet)	Boom Length (Feet)									
	60	80	100	120	140	160	180	200	220	240
12	-	-	-	-	-	-	-	-	-	-
14	460.000	-	-	-	-	-	-	-	-	-
15	460.000	-	-	-	-	-	-	-	-	-
20	373.680	373.200	372.720	367.710	-	-	-	-	-	-
25	298.970	298.580	298.200	297.820	292.400	231.880	-	-	-	-
30	238.210	238.440	238.320	238.170	237.830	230.130	173.590	137.010	-	-
35	188.200	188.320	188.080	187.860	187.420	186.880	172.260	135.540	110.600	90.360
40	155.000	155.070	154.780	154.530	154.030	153.480	152.920	134.070	109.300	89.110
50	113.540	113.570	113.210	112.910	112.430	111.780	111.140	110.470	106.900	86.760
60	88.670	88.760	88.410	88.090	87.500	86.960	86.300	85.600	84.960	84.250
70	-	72.120	71.750	71.410	70.770	70.210	69.500	68.760	68.080	67.320
80	-	60.300	60.020	56.710	59.110	58.590	57.900	57.170	56.510	55.780
90	-	-	51.080	50.780	50.160	49.630	48.920	48.160	47.490	46.730
100	-	-	44.120	43.840	43.200	42.670	41.940	41.170	40.470	39.700
120	-	-	-	33.720	33.100	32.810	32.110	31.390	30.730	29.980
140	-	-	-	-	26.200	25.780	25.070	24.320	23.660	22.890
160	-	-	-	-	-	20.590	19.900	19.150	18.480	17.700
180	-	-	-	-	-	-	15.930	15.200	14.530	13.730
200	-	-	-	-	-	-	-	12.070	11.410	10.610
220	-	-	-	-	-	-	-	-	8.880	8.090
240	-	-	-	-	-	-	-	-	-	6.010
250	-	-	-	-	-	-	-	-	-	-

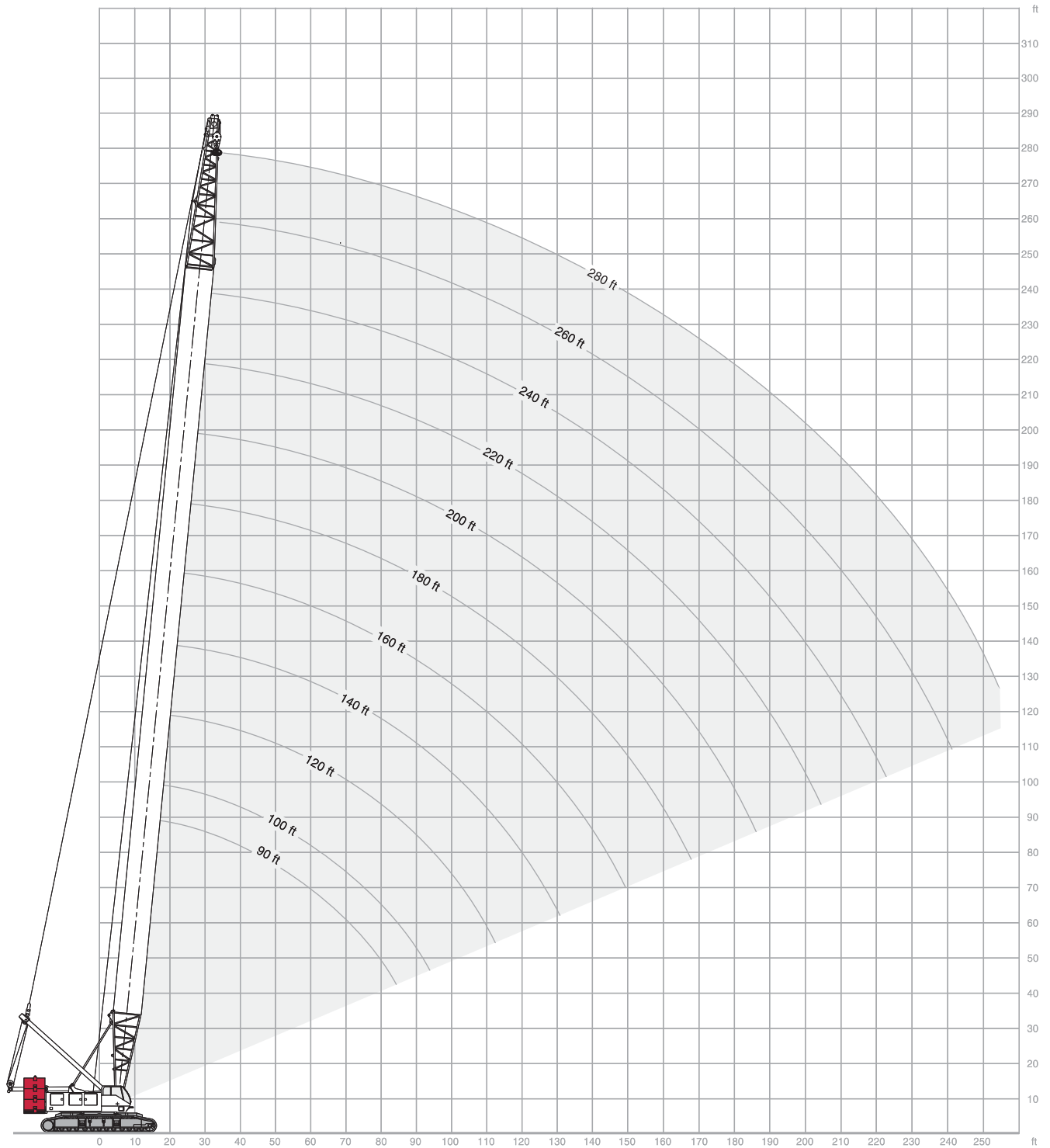
KEY

All ratings in pounds

 Counterweight

2

RANGE DIAGRAM, 77SI OFFSET TIP BOOM WITH CTWT PLUS



**WITH 77SI OFFSET TIP BOOM**

 150,800 pound upper + 32,000 pound lower

360°

ANSI B 30.5

Radius (Feet)	Boom Length (Feet)										
	90	100	120	140	160	180	200	220	240	260	280
20	243.930	-	-	-	-	-	-	-	-	-	-
25	243.930	243.790	243.520	-	-	-	-	-	-	-	-
30	232.150	232.010	231.720	227.030	-	-	-	-	-	-	-
35	190.740	190.520	190.140	189.850	189.320	167.960	-	-	-	-	-
40	157.400	157.140	156.660	156.310	155.700	155.050	131.400	-	-	-	-
50	116.040	115.730	115.200	114.820	114.150	113.450	112.820	104.730	85.390	74.260	62.120
60	91.340	91.040	90.480	90.110	89.430	88.700	88.080	87.350	83.260	72.030	60.160
70	74.790	74.460	73.860	73.460	72.740	71.970	71.310	70.540	69.830	69.630	58.280
80	63.080	62.790	62.230	61.860	61.170	60.420	59.790	59.030	58.360	57.590	56.510
90	54.200	53.900	53.340	52.970	52.240	51.470	50.830	50.050	49.370	48.580	47.770
100	-	46.990	46.430	46.050	45.300	44.530	43.860	43.070	42.370	41.560	40.740
120	-	-	36.400	36.000	35.250	34.440	33.750	32.930	32.230	31.930	31.130
140	-	-	-	29.180	28.500	27.750	27.120	26.330	25.680	24.880	24.070
160	-	-	-	-	23.360	22.620	21.980	21.190	20.520	19.710	18.890
180	-	-	-	-	-	18.680	18.050	17.250	16.600	15.770	14.930
200	-	-	-	-	-	-	14.970	14.150	13.490	12.670	11.820
220	-	-	-	-	-	-	-	11.660	11.000	10.160	9.300
240	-	-	-	-	-	-	-	-	8.960	8.100	7.250
260	-	-	-	-	-	-	-	-	-	6.400	5.520
280	-	-	-	-	-	-	-	-	-	-	4.040

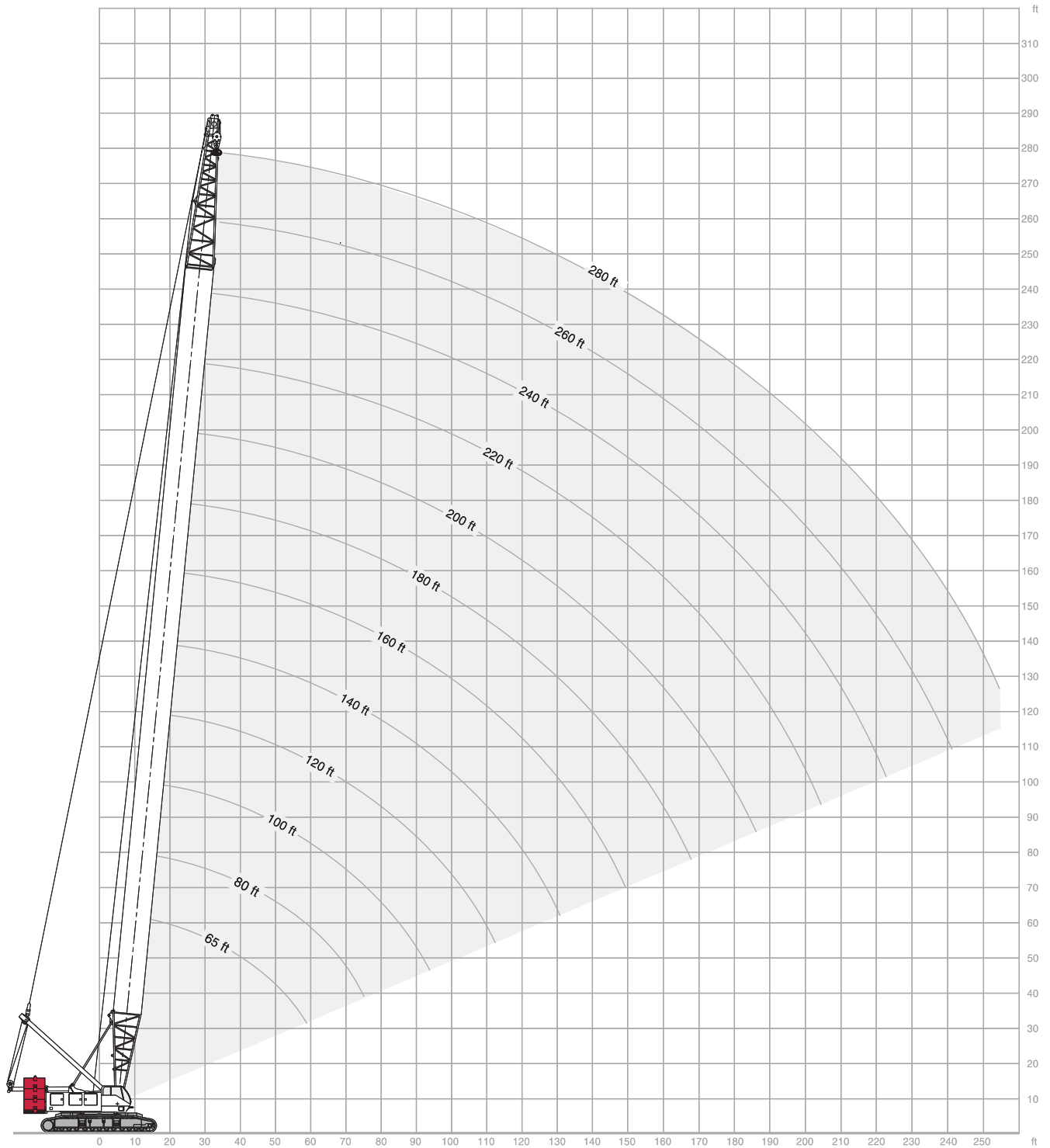
**KEY**

All ratings in pounds

 Counterweight

2

RANGE DIAGRAM, 92SI OFFSET TIP BOOM WITH CTWT PLUS





**WITH 92SI OFFSET TIP BOOM**

 150,800 pound upper + 32,000 pound lower

360°

ANSI B 30.5

Radius (Feet)	Boom Length (Feet)											
	65	80	100	120	140	160	180	200	220	240	260	280
16	460.000	-	-	-	-	-	-	-	-	-	-	-
20	430.320	429.110	-	-	-	-	-	-	-	-	-	-
25	322.060	322.090	321.960	321.600	-	-	-	-	-	-	-	-
30	238.230	238.000	237.610	237.000	236.920	236.630	-	-	-	-	-	-
35	188.380	188.060	187.570	186.900	186.800	186.070	185.520	185.260	-	-	-	-
40	155.190	154.800	154.250	153.510	153.390	152.600	152.050	151.270	150.440	134.170	-	-
50	113.770	113.300	112.650	111.830	111.680	110.790	110.240	109.370	108.450	107.810	107.520	94.860
60	88.960	88.500	87.830	86.970	86.830	85.910	85.380	84.480	83.530	82.900	81.980	81.180
70	-	71.870	71.170	70.260	70.080	69.120	68.570	67.610	66.610	65.950	64.980	64.170
80	-	60.040	59.430	58.560	58.410	57.470	56.960	56.010	55.020	54.400	53.430	52.660
90	-	-	50.490	49.610	49.460	48.480	47.960	47.000	45.970	45.340	44.350	43.580
100	-	-	43.510	42.650	42.500	41.500	40.980	39.980	38.940	38.290	37.280	36.500
120	-	-	-	32.600	32.560	31.620	31.160	30.190	29.160	28.560	27.570	26.830
140	-	-	-	-	25.490	24.570	27.430	23.130	22.080	21.480	20.450	19.720
160	-	-	-	-	-	19.360	18.940	17.950	16.900	16.280	15.240	14.510
180	-	-	-	-	-	-	14.970	13.980	12.930	12.320	11.270	10.530
200	-	-	-	-	-	-	-	10.860	9.800	9.180	8.130	7.390
220	-	-	-	-	-	-	-	-	7.270	6.660	5.600	4.860
240	-	-	-	-	-	-	-	-	-	4.590	-	-
260	-	-	-	-	-	-	-	-	-	-	-	-

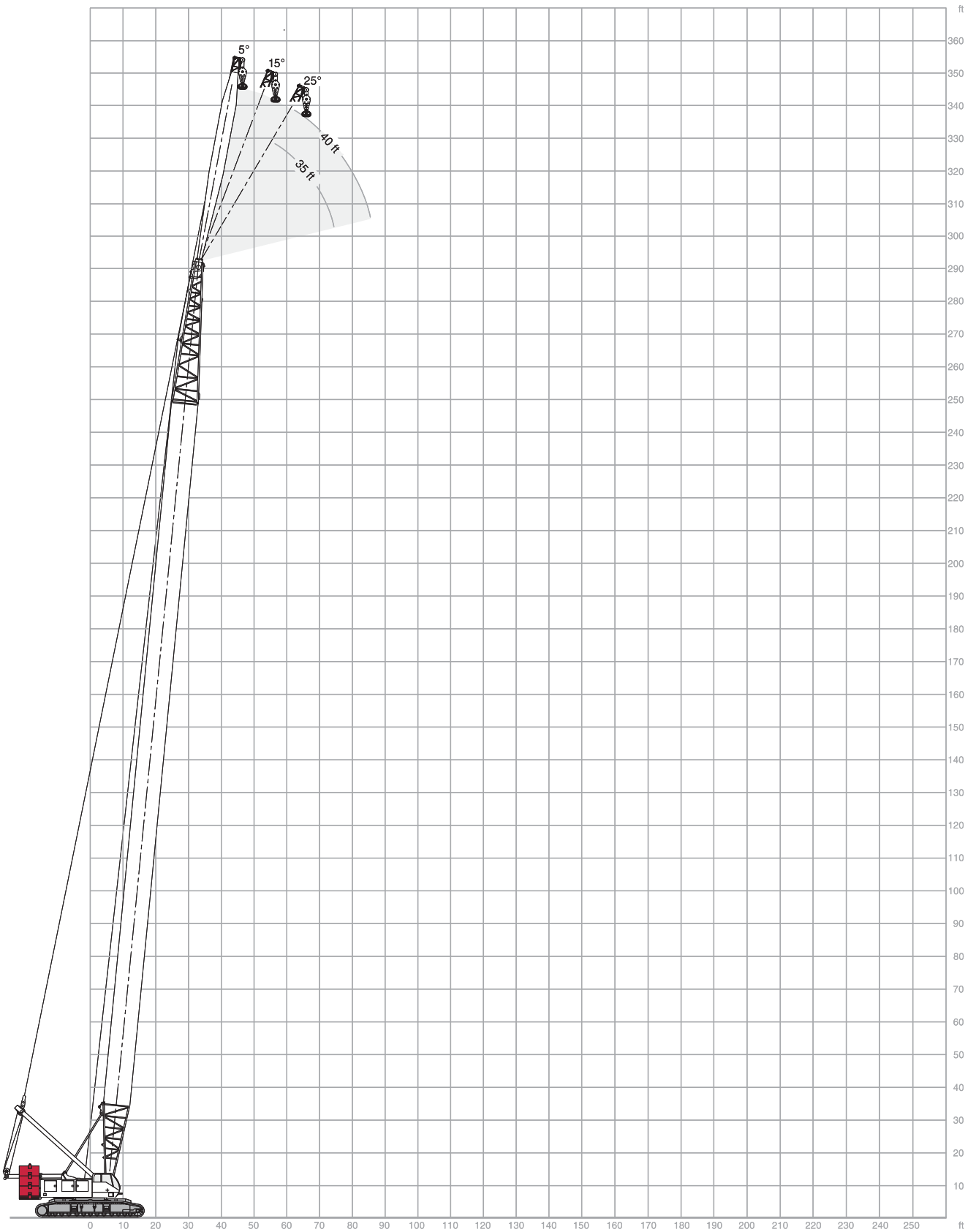
**KEY**

All ratings in pounds

 Counterweight

2

RANGE DIAGRAM, 16HL JIB - 77SI HAMMERHEAD TIP BOOM WITH CTWT PLUS



WITH 77SI HAMMERHEAD TIP BOOM AND 16HL JIB

 150,800 pound upper + 32,000 pound lower

360°

ANSI B 30.5

40' Jib length

Boom length	Jib Radius (Feet)	5.0 Deg offset Rating (Pounds)	15.0 Deg offset Rating (Pounds)	25.0 Deg offset Rating (Pounds)
	30	32.000	-	-
	35	32.000	32.000	-
	40	32.000	32.000	32.000
	50	32.000	32.000	32.000
	60	32.000	32.000	28.720
100'	70	32.000	32.000	26.120
	80	32.000	29.050	24.030
	90	30.590	26.580	22.230
	100	27.720	24.630	20.910
	110	-	-	-

	30	32.000	-	-
	35	32.000	32.000	-
	40	32.000	32.000	-
	50	32.000	32.000	32.000
120'	60	32.000	32.000	30.100
	70	32.000	32.000	27.520
	80	32.000	31.390	25.480
	90	32.000	28.780	23.650
	100	30.930	26.740	22.190
	120	28.280	23.380	20.970
	140	-	-	19.940
	160	-	-	-

	35	32.000	-	-
	40	32.000	32.000	-
	50	32.000	32.000	32.000
140'	60	32.000	32.000	31.350
	70	32.000	32.000	28.860
	80	32.000	32.000	26.730
	90	32.000	30.830	24.950
	100	32.000	28.620	23.380
	120	28.800	25.120	21.060
	140	24.960	22.570	19.370

	35	32.000	-	-
	40	32.000	32.000	-
	50	32.000	32.000	32.000
160'	60	32.000	32.000	32.000
	70	32.000	32.000	29.890
	80	32.000	32.000	27.770
	90	32.000	32.000	26.000
	100	32.000	30.310	24.500
	120	31.520	26.800	22.050
	140	26.700	24.070	20.270
	160	21.780	21.790	18.950
	180	-	-	-

	40	32.000	-	-
	50	32.000	32.000	32.000
180'	60	32.000	32.000	32.000
	70	32.000	32.000	30.800
	80	32.000	32.000	28.810
	90	32.000	32.000	27.020
	100	32.000	32.000	25.500
	120	32.000	28.290	23.050
	140	25.800	25.440	21.100
	160	20.860	20.870	19.640
	180	-	17.110	17.130
	200	-	-	-


Boom length	Jib Radius (Feet)	5.0 Deg offset Rating (Pounds)	15.0 Deg offset Rating (Pounds)	25.0 Deg offset Rating (Pounds)
	40	32.000	-	-
	50	32.000	32.000	-
	60	32.000	32.000	32.000
	70	32.000	32.000	31.710
	80	32.000	32.000	29.720
200'	90	32.000	32.000	27.960
	100	32.000	32.000	26.380
	120	30.820	29.670	23.880
	140	24.890	24.900	21.950
	160	19.940	19.950	19.960
	180	16.180	16.190	16.200
	200	13.240	13.250	13.270

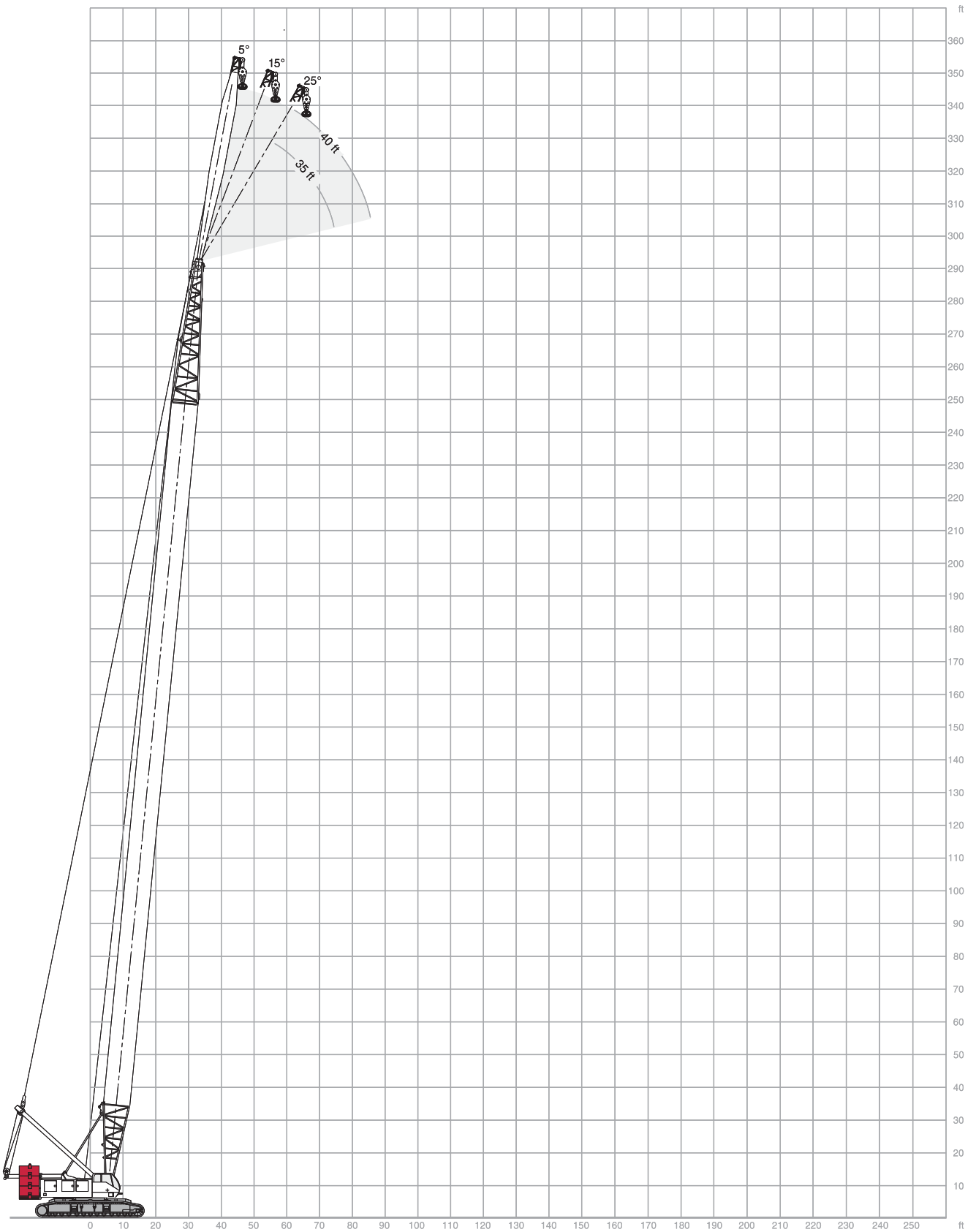
	50	32.000	32.000	-
	60	32.000	32.000	32.000
	70	32.000	32.000	32.000
	80	32.000	32.000	30.410
220'	90	32.000	32.000	28.700
	100	32.000	30.310	27.210
	120	28.550	27.980	24.680
	140	24.030	23.720	22.670
	160	19.080	19.080	19.090
	180	15.300	15.310	15.320
	200	12.360	12.360	12.380
	220	9.900	10.000	10.020

	40	32.000	-	-
	50	32.000	32.000	-
	60	32.000	32.000	32.000
	70	32.000	32.000	32.000
240'	80	32.000	32.000	31.110
	90	32.000	32.000	29.490
	100	31.920	31.350	27.990
	120	26.180	25.880	25.400
	140	21.900	21.640	21.350
	160	18.170	18.180	18.120
	180	14.930	14.400	14.410
	200	11.430	11.440	11.450
	220	9.060	9.070	9.080
	240	7.130	7.140	7.160

KEY

All ratings in pounds

 Counterweight

**RANGE DIAGRAM, 16HL JIB**


**WITH 77SI OFFSET TIP BOOM AND 16HL JIB**

 150,800 pound upper + 32,000 pound lower

360°

ANSI B 30.5

**40' Jib length**

Boom length	Jib Radius (Feet)	5.0 Deg offset Rating (Pounds)	15.0 Deg offset Rating (Pounds)	25.0 Deg offset Rating (Pounds)
100'	35	32.000	-	-
	40	32.000	32.000	-
	50	32.000	32.000	32.000
	60	32.000	32.000	29.900
	70	32.000	31.960	27.400
	80	32.000	28.900	25.360
100'	90	30.570	26.550	23.740
	100	27.600	24.540	22.340

	35	32.000	-	-
	40	32.000	-	-
	50	32.000	32.000	32.000
	60	32.000	32.000	31.240
120'	70	32.000	32.000	28.830
	80	32.000	31.280	26.730
	90	32.000	28.730	25.060
	100	30.950	26.640	23.690
	120	26.010	23.400	21.510

	40	32.000	-	-
	50	32.000	32.000	32.000
	60	32.000	32.000	32.000
	70	32.000	32.000	29.940
140'	80	32.000	32.000	28.000
	90	32.000	30.700	26.280
	100	32.000	28.590	24.820
	120	28.790	25.050	22.550
	140	24.910	22.560	20.930

	40	32.000	-	-
	50	32.000	32.000	-
	60	32.000	32.000	32.000
	70	32.000	32.000	31.030
160'	80	32.000	32.000	29.000
	90	32.000	32.000	27.370
	100	32.000	30.270	25.860
	120	30.650	26.660	23.610
	140	26.640	23.980	21.750
	160	22.540	21.930	20.490

	50	32.000	32.000	-
	60	32.000	32.000	32.000
	70	32.000	32.000	31.800
	80	32.000	32.000	29.930
180'	90	32.000	32.000	28.300
	100	32.000	31.950	26.910
	120	28.440	27.820	24.500
	140	24.250	23.920	22.600
	160	20.370	20.090	19.750
	180	16.920	16.830	16.580

	50	32.000	-	-
	60	32.000	32.000	32.000
	70	32.000	32.000	32.000
	80	32.000	32.000	30.770
200'	90	32.000	32.000	29.150
	100	31.140	30.260	27.750
	120	26.410	25.810	25.080
	140	22.040	21.710	21.240
	160	18.290	18.160	17.810
	180	15.090	15.010	14.830
	200	12.190	12.250	12.160

Boom length	Jib Radius (Feet)	5.0 Deg offset Rating (Pounds)	15.0 Deg offset Rating (Pounds)	25.0 Deg offset Rating (Pounds)
	50	32.000	-	-
	60	32.000	32.000	-
	70	32.000	32.000	32.000
	80	32.000	32.000	31.430
220'	90	32.000	31.060	29.880
	100	29.080	28.340	27.440
	120	24.240	23.840	23.220
	140	19.850	19.630	19.180
	160	16.150	16.090	15.880
	180	13.120	13.120	13.020
	200	10.410	10.460	10.430
	220	8.000	8.110	8.100


	60	32.000	32.000	-
	70	32.000	32.000	32.000
	80	32.000	32.000	31.420
	90	30.150	29.290	28.340
240'	100	27.150	26.490	25.780
	120	22.200	21.900	21.370
	140	17.860	17.670	17.410
	160	14.270	14.270	14.160
	180	11.310	11.400	11.330
	200	8.730	8.870	8.880
	220	6.460	6.610	6.690
	240	4.400	4.570	4.640

	60	32.000	-	-
	70	32.000	32.000	32.000
	80	31.770	30.870	29.740
	90	28.140	27.510	26.660
260'	100	25.210	24.670	24.110
	120	20.070	19.910	19.510
	140	15.760	15.810	15.580
	160	12.320	12.380	12.330
	180	9.370	9.540	9.590
	200	6.890	7.070	7.190
	220	4.720	4.930	5.060
	240	2.780	2.990	3.130
	260	1.040	1.240	1.350
	280	-	-	-

	60	32.000	-	-
	70	32.000	32.000	-
	80	29.840	29.190	27.220
	90	26.310	25.850	24.990
280'	100	23.330	22.940	22.380
	120	18.090	18.050	17.790
	140	13.820	13.950	13.890
	160	10.370	10.560	10.620
	180	7.510	7.760	7.900
	200	5.070	5.350	5.530
	220	2.950	3.240	3.420
	240	1.100	1.370	1.560

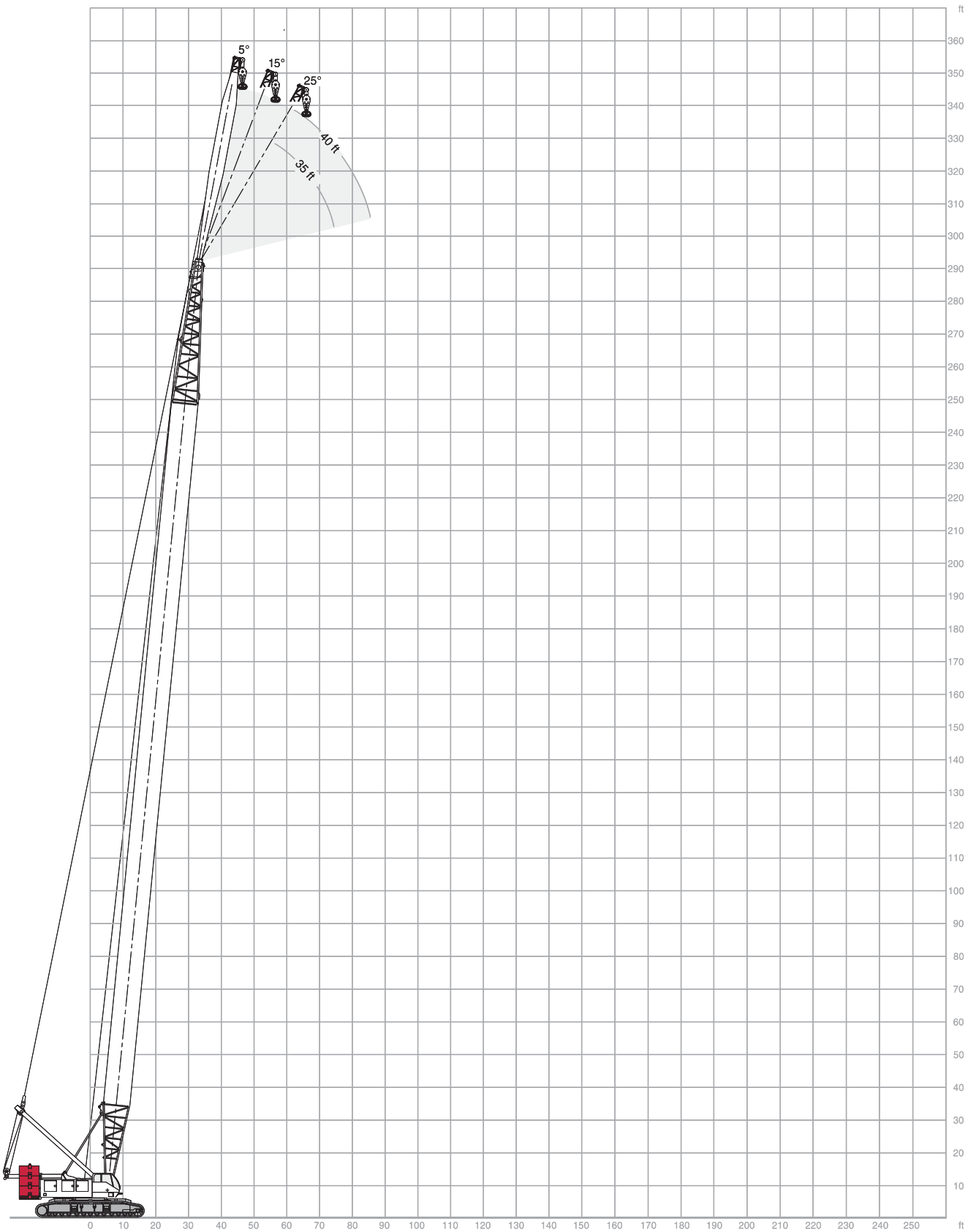
**KEY**

All ratings in pounds

 Counterweight

3

RANGE DIAGRAM, 16HL JIB



**WITH 92SI OFFSET TIP BOOM AND 16HL JIB**

 150,800 pound upper + 32,000 pound lower

360°

ANSI B 30.5

**40' Jib length**

Boom length	Jib Radius (Feet)	5.0 Deg offset Rating (Pounds)	15.0 Deg offset Rating (Pounds)	25.0 Deg offset Rating (Pounds)
100'	30	32.000	-	-
	35	32.000	32.000	-
	40	32.000	32.000	-
	50	32.000	32.000	30.580
	60	32.000	32.000	27.460
	70	32.000	32.000	24.900
	80	32.000	29.370	22.840
120'	90	31.600	26.650	21.230
	100	28.640	24.490	19.820
	120	-	-	-

120'	35	32.000	-	-
	40	32.000	32.000	-
	50	32.000	32.000	31.890
	60	32.000	32.000	28.810
	70	32.000	32.000	26.260
	80	32.000	32.000	24.250
	90	32.000	29.140	22.580
140'	100	32.000	26.820	21.130
	120	27.010	23.160	18.980
	140	-	-	-

140'	35	32.000	-	-
	40	32.000	-	-
	50	32.000	32.000	32.000
	60	32.000	32.000	30.020
	70	32.000	32.000	27.460
	80	32.000	32.000	25.480
	90	32.000	31.500	23.730
160'	100	32.000	29.010	22.300
	120	29.880	25.060	20.010
	140	25.890	22.320	18.380

160'	40	32.000	-	-
	50	32.000	32.000	32.000
	60	32.000	32.000	30.960
	70	32.000	32.000	28.630
	80	32.000	32.000	26.550
	90	32.000	32.000	24.800
	100	32.000	31.030	23.400
180'	120	32.000	26.860	21.000
	140	25.720	23.910	19.270
	160	20.780	20.790	18.020

180'	40	32.000	-	-
	50	32.000	32.000	-
	60	32.000	32.000	31.800
	70	32.000	32.000	29.450
	80	32.000	32.000	27.480
	90	32.000	32.000	25.810
	100	32.000	32.000	24.330
	120	31.660	28.640	21.920
	140	24.870	24.880	20.120
	160	19.920	19.930	18.680
	180	16.170	16.180	16.190
200	-	-	-	

Boom length	Jib Radius (Feet)	5.0 Deg offset Rating (Pounds)	15.0 Deg offset Rating (Pounds)	25.0 Deg offset Rating (Pounds)
200'	50	32.000	32.000	-
	60	32.000	32.000	32.000
	70	32.000	32.000	30.340
	80	32.000	32.000	28.410
	90	32.000	32.000	26.710
220'	100	32.000	32.000	25.210
	120	30.550	30.300	22.770
	140	23.750	23.750	20.850
	160	18.790	18.790	18.810
	180	15.020	15.020	15.040
	200	12.090	12.090	12.100
	220	-	-	-


220'	50	32.000	-	-
	60	32.000	32.000	32.000
	70	32.000	32.000	31.000
	80	32.000	32.000	29.110
	90	32.000	32.000	27.490
	100	32.000	32.000	25.960
	120	29.460	29.460	23.580
	140	22.650	22.650	21.640
	160	17.680	17.680	17.700
	180	13.890	13.900	13.910
240'	200	10.940	10.950	10.960
	220	8.580	8.590	8.600

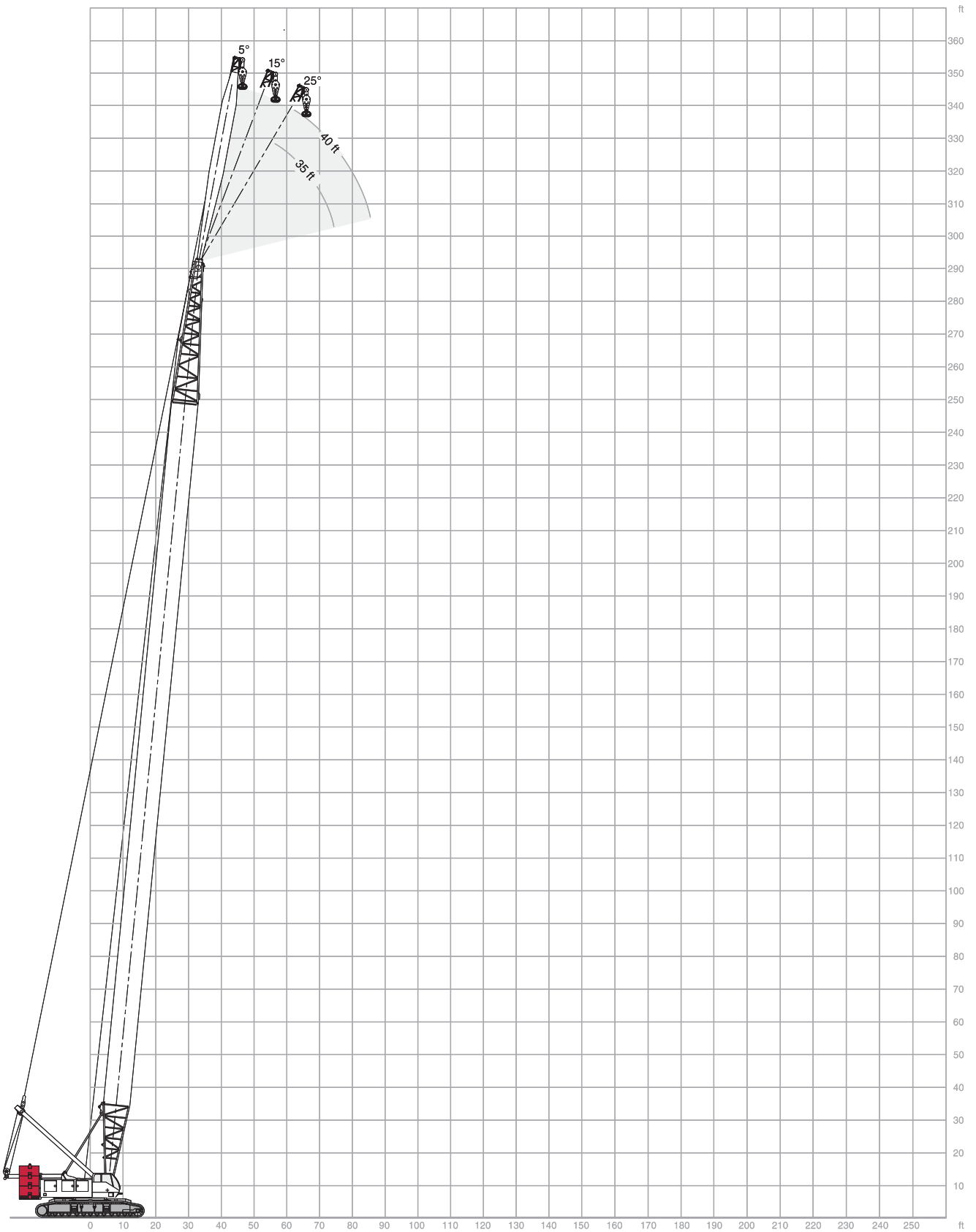
240'	50	32.000	-	-
	60	32.000	32.000	-
	70	32.000	32.000	31.720
	80	32.000	32.000	29.820
	90	32.000	32.000	26.720
	100	32.000	32.000	25.460
	120	28.590	28.600	24.270
	140	21.780	21.780	21.790
	160	16.800	16.810	16.820
	180	13.020	13.030	13.040
	200	10.050	10.060	10.070
260'	220	7.670	7.680	7.700
	240	5.750	5.760	5.780
	260	-	-	-

260'	60	32.000	32.000	-
	70	32.000	32.000	32.000
	80	32.000	32.000	30.400
	90	32.000	32.000	28.840
	100	32.000	32.000	27.380
	120	27.500	27.510	24.930
	140	20.680	20.690	20.700
	160	15.690	15.700	15.710
	180	11.900	11.900	11.910
	200	8.920	8.920	8.940
	220	6.520	6.530	6.550
240	4.580	4.590	4.600	

**KEY**

All ratings in pounds

 Counterweight

**RANGE DIAGRAM, # 30 JIB**



**WITH 92SI OFFSET TIP BOOM AND #30 JIB**

 150,800 pound upper + 32,000 pound lower

360°

ANSI B 30.5

**35' Jib length**

Boom length	Jib Radius (Feet)	5.0 Deg offset Rating (Pounds)	15.0 Deg offset Rating (Pounds)	25.0 Deg offset Rating (Pounds)
90'	30	60.000	-	-
	35	60.000	60.000	-
	40	60.000	60.000	60.000
	50	60.000	60.000	54.910
	60	60.000	60.000	48.750
	70	60.000	57.540	44.100
	80	60.000	51.200	40.750
	90	51.730	46.450	40.150

100'	30	60.000	-	-
	35	60.000	60.000	-
	40	60.000	60.000	60.000
	50	60.000	60.000	57.470
	60	60.000	60.000	51.260
	70	60.000	60.000	46.450
	80	59.810	54.980	42.650
	90	51.110	49.870	40.510
	100	44.430	44.350	40.510

120'	35	60.000	-	-
	40	60.000	60.000	-
	50	60.000	60.000	59.980
	60	60.000	60.000	55.630
	70	60.000	60.000	50.740
	80	58.690	58.690	46.660
	90	49.970	49.970	43.370
	100	43.200	43.200	40.650
	120	33.620	33.620	33.630

140'	35	60.000	-	-
	40	60.000	60.000	-
	50	60.000	60.000	59.880
	60	60.000	60.000	59.220
	70	60.000	60.000	54.190
	80	57.930	57.940	50.250
	90	49.220	49.220	46.690
	100	42.450	42.450	42.460
	120	32.930	32.930	32.930
	140	26.090	26.100	26.100

160'	40	60.000	-	-
	50	60.000	60.000	59.790
	60	60.000	60.000	59.790
	70	60.000	60.000	57.360
	80	56.810	56.820	53.070
	90	48.080	48.090	48.100
	100	41.300	41.300	41.310
	120	31.820	31.820	31.820
	140	24.970	24.980	24.980
	160	19.970	19.970	19.980

180'	40	60.000	-	-
	50	60.000	60.000	59.690
	60	60.000	60.000	59.690
	70	60.000	60.000	59.690
	80	55.970	55.980	55.800
	90	47.230	47.240	47.240
	100	40.440	40.450	40.460
	120	31.010	31.010	31.020
	140	24.170	24.180	24.180
	160	19.160	19.170	19.170
	180	15.350	15.350	15.360

Boom length	Jib Radius (Feet)	5.0 Deg offset Rating (Pounds)	15.0 Deg offset Rating (Pounds)	25.0 Deg offset Rating (Pounds)
200'	50	60.000	60.000	-
	60	60.000	60.000	59.610
	70	60.000	60.000	59.610
	80	54.890	54.900	54.910
	90	46.140	46.140	46.150
	100	39.840	39.840	39.850
	120	29.950	29.950	29.950
	140	23.090	23.100	23.100
	160	18.080	18.080	18.090
	180	14.250	14.250	14.260
	200	11.240	11.240	11.250
	220	-	-	-


220'	50	60.000	-	-
	60	60.000	60.000	59.510
	70	60.000	60.000	59.510
	80	53.790	53.430	53.070
	90	45.060	45.060	45.070
	100	38.800	38.800	38.810
	120	28.890	28.890	28.900
	140	22.030	22.030	22.040
	160	17.010	17.010	17.020
	180	13.180	13.180	13.190
	200	10.160	10.160	10.170
	220	7.720	7.720	7.730

240'	50	60.000	-	-
	60	60.000	60.000	59.140
	70	59.380	59.080	58.770
	80	50.330	50.130	49.920
	90	43.420	43.290	43.160
	100	37.980	37.980	37.990
	120	28.070	28.070	28.080
	140	21.200	21.210	21.210
	160	16.180	16.190	16.190
	180	12.350	12.350	12.360
	200	9.320	9.320	9.330
	220	6.880	6.880	6.890
	240	4.890	4.890	4.900
	260	-	-	-

260'	50	60.000	-	-
	60	60.000	58.770	-
	70	55.690	55.610	50.920
	80	46.760	46.740	46.700
	90	41.710	41.730	41.740
	100	36.590	36.650	36.680
	120	27.010	27.010	27.020
	140	20.140	20.140	20.150
	160	15.110	15.110	15.110
	180	11.260	11.260	11.270
	200	8.240	8.240	8.240
	220	5.790	5.790	5.800
	240	3.790	3.790	3.800
	260	-	-	-

**KEY**

All ratings in pounds

 Counterweight

3

## NOTES TO LIFTING CAPACITY

### **Warning**

This rating chart is invalid if the crane has been modified or altered by use of other than GENUINE AMERICAN PARTS as such modifications or alterations may affect its capacity or safe operation. See American Crane Corporation Service Bulliten #259.

Ratings in this chart are in POUNDS and do not exceed the percentage of tipping specified for this crane by ANSI B30.5. All ratings require that the crane be standing level on a firm uniformly supporting surface.

Do not lift loads in excess of those shown on this chart. Lifting loads in excess of those shown or operation not in accordance with good operating practice, including limitations shown on page 3499 of Operator's Manual, can cause tipping, structural damage or catastrophic failure.

Asterisk (\*) areas on this chart indicate ratings which are limited by strength of material or factors other than stability (tipping).

„RADIUS IN FEET“ is the horizontal distance at ground level from the crane centerline of rotation to a vertical line through the center of gravity of the suspended load.

When using the main boom fall with jib in place, the main fall ratings must be reduced by the jib effective weight shown on the jib rating chart plus twice the weight of all suspended blocks, slings, rope, etc., at the jib fall. See Appendix A.

Blocks, slings, buckets and other load carrying devices are considered part of the load. The weight of standard hoisting ropes for the rating at a given radius has been calculated as part of the boom point load and need not be considered in determining net allowable loads. See Appendix A.

Ratings shown on this chart make no allowance for such factors as out of plumb loads, wind, poor soil conditions, improper inflation of rubber tires and dynamic effects due to excessive operating speeds. The user (operator) must exercise judgement to make allowance for these conditions. See page 3499 of Operator's Manual for detailed information.

No account is taken of the wind force on the load. This effect, which can be substantial for loads with large surface areas, must be considered by the user. In any wind it is strongly recommended that taglines be used to control the load.

The weight of all suspended blocks, slings, or other load carrying devices including those at the main fall, are considered part of the jib load. The weight of standard hoisting ropes for the rating at a given radius has been calculated as part of the jib point dead load and need not be considered in determining net allowable loads. See Appendix A.

BOOM HOIST LINE – 18 parts of 7/8 inch diameter EIPS wire rope with a minimum breaking strength of 79,600 pounds.

PENDANT SUSPENSION LINE – 4 parts of 1-3/8 inch diameter EEIPS wire rope with a minimum breaking strength of 211,000 pounds.

WHIP LINE – 1-1/8 inch diameter IPS wire rope with a minimum breaking strength of 113,000 pounds.

JIB FRONTSTAY & BACKSTAY LINES – 2 parts of 7/8 inch diameter wire rope with a minimum breaking strength of 113,000 pounds.

### **ERECTION**

Erection is with the A-Frame fully raised. Erection „OVER-THE-END“ is with the boom over the idler end. Erection „OVER-THE-SIDE“ is with the boom 90° to the sideframes and with the side frames extended. Blocks, slings and other load carrying devices must be on the ground during erection.

## TECHNICAL DESCRIPTION

### HYDRAULIC CRAWLER CRANE

#### Maximum lifting capacity

230 tons (208.7 mt).

#### 290 ft (88.4 m) maximum lift crane boom

- 92HI / 77HI tubular chord boom, pin connected.
- 90 ft (27.4 m) inner and outer and 10 / 15 / 20 / 50 ft (3 / 4.5 / 6 / 15 m) available inserts provide boom compositions in 10 ft (3 m) increments from 90 ft (27.4 m) to 290 ft (88.4 m).

#### Robust Engine

- Cummins model QSC 8.3 diesel engine supplies 300 HP (224 kW) @ 2,200 RPM, 507 cu. In. (8.3 l) displacement, 180 gallon (681.4 l) fuel capacity.

#### Environmental operator's cab

- Designed to provide excellent viewing range and quiet, comfortable operation.
- 37 in. (0.91 m) wide cab has wide curved windows on both top and bottom.
- Easy-to-operate modular and ergonomically designed controls reduce operator fatigue and increase productivity.
- Load Moment Indicator with interactive screen features a shockless stop system. Operator can select from three display modes: loaded condition diagram, rated lifting curve, and rated lifting load table.
- Adjustable operator's seat, radio, air conditioner, overhead window, sun visor, fan, overhead and front wipers, and drum rotation indicators standard.

#### Heavy duty carbody and crawlers

- Fabricated steel carbody is deep box constructed with square axles for the crawler side frames. Precision machined top supports anti-friction swing circle and multiple pass hydraulic swivel joint.
- Crawlers have high alloy steel tumbler yokes and rigid fabricated structures with built-in sealed automatic lubrication system.
- 48" (1219 mm) crawler shoes.
- Travel mechanism is set within shoe width.
- Side frames extended or retracted by cylinders inside the carbody.
- Two travel speed settings - 0.55 / 0.37 mph (0.88 / 0.60 km/h).
- 30 % (17°) gradeability.

#### Powerful, high-speed hoist system

- Two identical independent main and auxiliary load hoisting drums provide ample lifting power. Drums are grooved for 1-1/8 in. (28 mm) diameter rope. Max. line speed is 540 fpm (165 m/min), max. single line pull is 54,060 lb (24 522 kg). Rated single line pull is 40,850 lb (18 530 kg). Freefall on main and auxiliary drums.
- Each drum, including optional third, has power up/down. Load hoists are further controllable in stepless mode.
- Ample work space in front of drums allows easy access for cable installation and maintenance.
- External contracting brake.
- Internal expanding band clutch.
- Seperate caption for swing.
- 1.7 rpm swing speed.

#### High capacity, dependable hydraulic system

- Open circuit system has 2 variable displacement piston pumps which supply power to the travel and hoisting functions, 3 gear pumps provide power for swing, hydraulic cylinders and pilot pressure.
- Hydraulic reservoir with 90 gallons (341 l) capacity and 10 micron filtration. System capacity is 150 gallons (568 l).
- Component working range is between -4 and 203° F (-20 and 95° C).

#### Eight piece removable counterweight

- Eight piece pin connected counterweight, which can be assembled or disassembled easily within minutes with no tools required.
- Hydraulic counterweight removal system is standard and makes the HC230 one of the most transportable cranes in its class.

#### Transportation

- Moves on 9 to 12 trucks depending on boom, jib, and machine options selected.
- At 12 ft (3.66 m) wide and 11 ft 5 in. (3.48 m) high, the basic HC230 will transport on a standard lowboy trailer.

#### Options include

- Third Drum
- Single sheave extension
- Counterweight plus - CTWT Plus
- Reeving winch
- Choice of 16HL or No. 30 jib on 95SI boom
- Choice of hammerhead or offset tip on 77SI boom.

**LOADS FOR TRANSPORT HC 230**
**260' 92H BOOM w / SINGLE SHEAVE EXTENSION**

 Loads required as follows: (weights shown do **NOT** include blocking or tie-down material)

**LOAD NO. 1 – Step Deck**

2 x counterweight overlay @11,200 lbs .....	22,400 lbs
1 x 50' 92H boom center section .....	6,600 lbs
<b>TOTAL LOAD .....</b>	<b>29,000 lbs</b>

**LOAD NO. 2 – Step Deck**

2 x counterweight overlay @11,200 lbs .....	22,400 lbs
1 x 50' 92H boom center section .....	6,600 lbs
<b>TOTAL LOAD .....</b>	<b>29,000 lbs</b>

**LOAD NO. 3 – Step Deck**

2 x counterweight overlay @11,200 lbs .....	22,400 lbs
1 x 40' 92" outer w/ offset tip .....	13,120 lbs
1 x 30 ton block .....	650 lbs
<b>TOTAL LOAD .....</b>	<b>36,170 lbs</b>

**LOAD NO. 4 – Step Deck**

2 x counterweight overlay @11,200 lbs .....	22,400 lbs
1 x 50' 92H boom center section .....	6,600 lbs
<b>TOTAL LOAD .....</b>	<b>29,000 lbs</b>

**LOAD NO. 5 – Step Deck**

1 x 10' 92H boom center section .....	1,795 lbs
1 x 20' 92H boom center section .....	3,550 lbs
1 x 20 ton overhaul balls .....	1,350 lbs
1 x single sheave extension .....	1,045 lbs
<b>TOTAL LOAD .....</b>	<b>7,740 lbs</b>

**LOAD NO. 6 – Step Deck**

1 x base counterweight @ 39,000 lbs .....	39,000 lbs
1x 15' 92H boom center section .....	3,500 lbs
<b>TOTAL LOAD .....</b>	<b>42,500 lbs</b>

**LOAD NO. 7 – Step Deck**

1 x 25' 92H boom inner w/ boom stops .....	9,000 lbs
1 x 90 ton block .....	1,950 lbs
1 x misc. pendants .....	5,000 lbs
<b>TOTAL LOAD .....</b>	<b>15,950 lbs</b>

**LOAD NO. 8 – Step Deck**

1 x Crawler Sideframe .....	46,000 lbs
<b>TOTAL LOAD .....</b>	<b>46,000 lbs</b>

**LOAD NO. 9 – Step Deck**

1 x Crawler Sideframe .....	46,000 lbs
<b>TOTAL LOAD .....</b>	<b>46,000 lbs</b>

**LOAD NO. 10 – Heavy Haul**
**Upperworks on Carbody:**

 Floating Mast and Boom Hoist Rope Installed  
 NOTE: No Boom Inner, or wire rope on main & aux. drums

<b>TOTAL WEIGHT OF UPPER, etc. ....</b>	<b>105,000 lbs</b>
---	--------------------



The information contained in this brochure merely consists of general descriptions and a broad compilation of performance features which might not apply precisely as described under specific application conditions or which may change as a result of further product development. The desired performance features only become binding once expressly agreed in the final contract.

Note: Data published herein is intended as a guide only and shall not be construed to warrant applicability for lifting purposes. Crane operation is subject to the computer charts and operation manual both supplied with the crane.

Subject to change without notice.

09/08